

STONECRAFTERS

ARCHITECTURAL PRECAST STONE



10691 75TH STREET N.
SEMINOLE, FL 33777

PH: 727-544-1210

FAX: 727-545-5750

WWW.STONECRAFTERSFL.COM

To All Our Valued Customers

It's our privilege to present you with this copy of the Sonecrafters Cast Stone Catalog. This Catalog represents only a small fraction of our stock molds. We supply a wide array of styles, colors and textures to serve all your precast needs. We offer full service from design and manufacturing to delivery and installation. Our design department can work from client provided detail drawings or something as simple as an idea.

Please contact one of our representatives to discuss your next building project.
We look forward to working with you.



TABLE OF CONTENTS

Balusters	3
Newel Posts	7
Pier Caps	9
Wall Caps	12
Columns	14
Moldings	20
Window Sills	26
Stair Treads	28
Corbels	30
Fireplaces	33, 43
Miscellaneous	37
Quoins	40
Pavers	41
Pool Coping	42

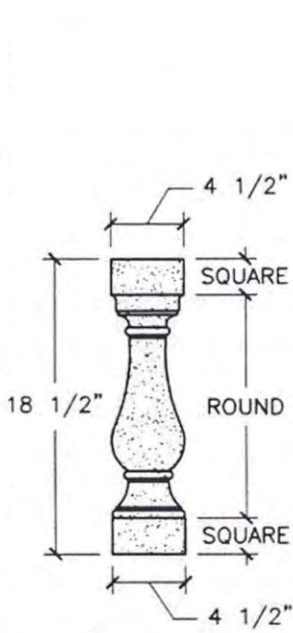
BALUSTERS



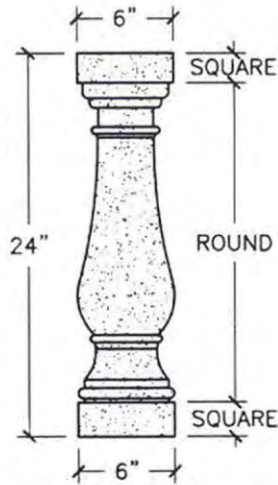
BALUSTERS



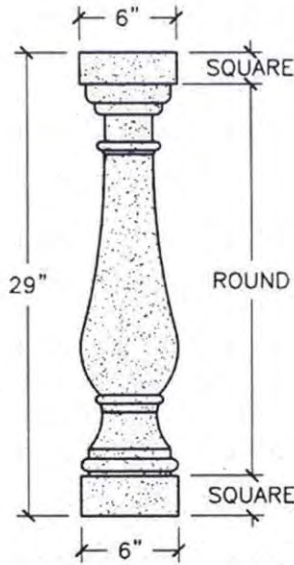
BALUSTERS



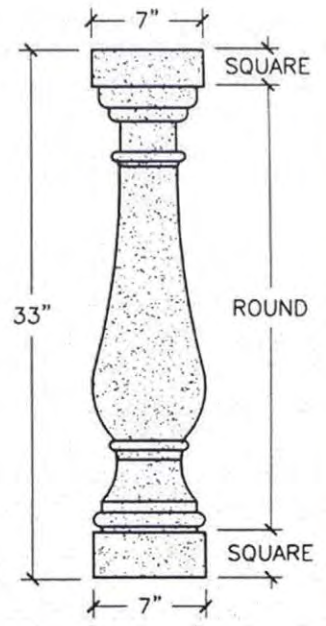
SCBLST-101



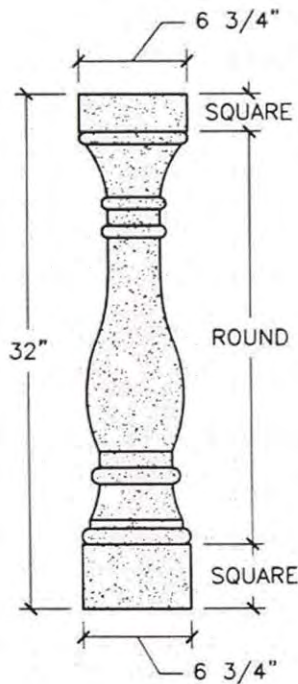
SCBLST-102



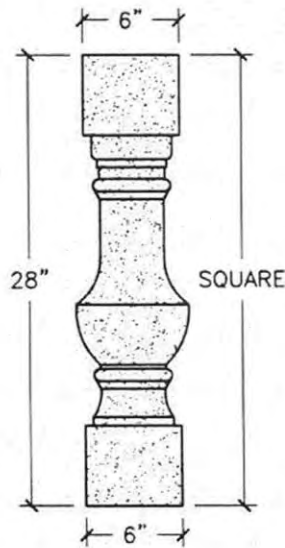
SCBLST-103



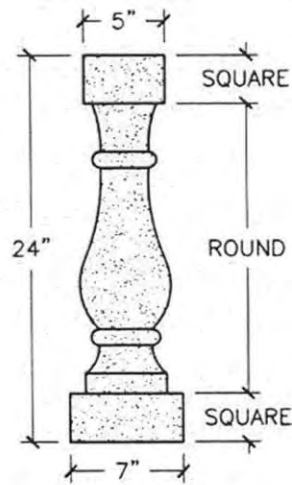
SCBLST-104



SCBLST-105



SCBLST-106

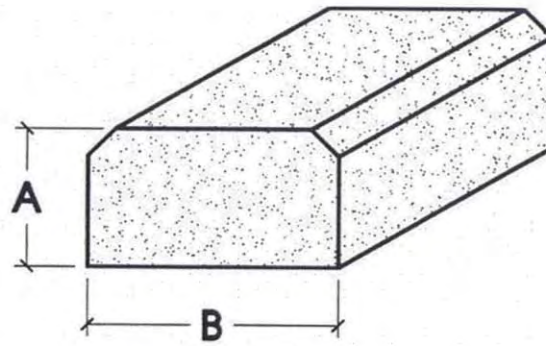


SCBLST-107

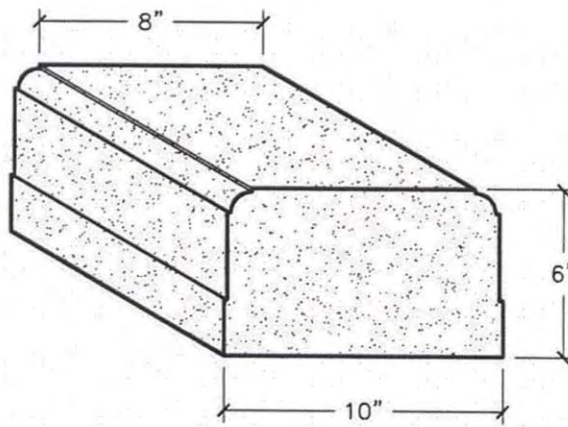


BALUSTER BASE

SIZE CHART	
A	B
3" TO 6"	8" TO 12"



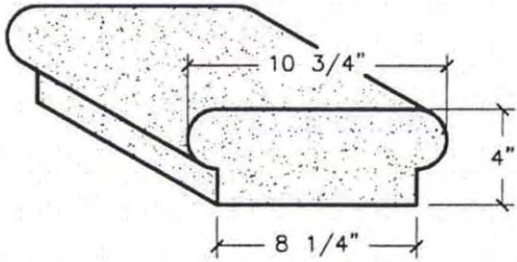
SCBASE-101



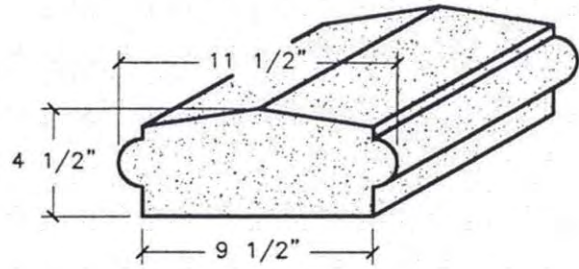
SCBASE-102



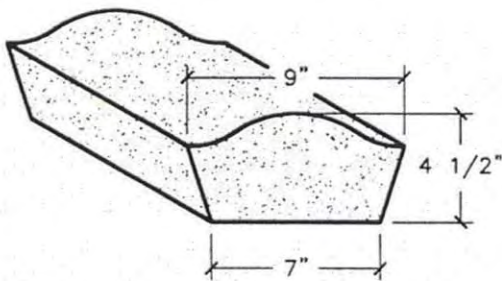
BALUSTER CAPS



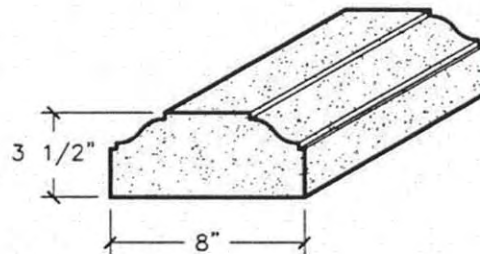
SCCAP-101



SCCAP-102



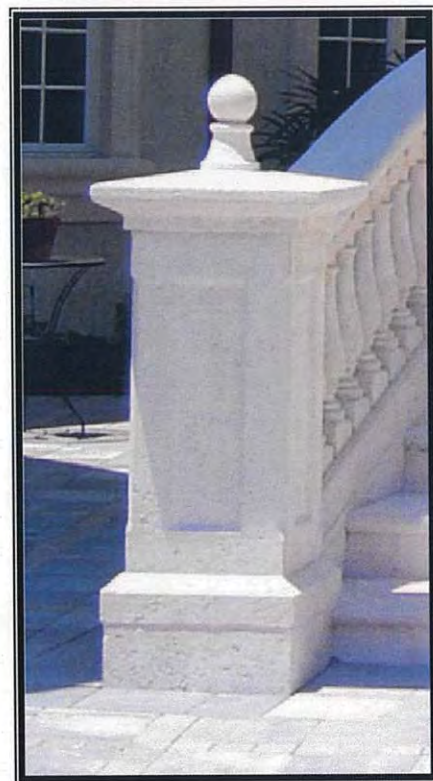
SCCAP-103

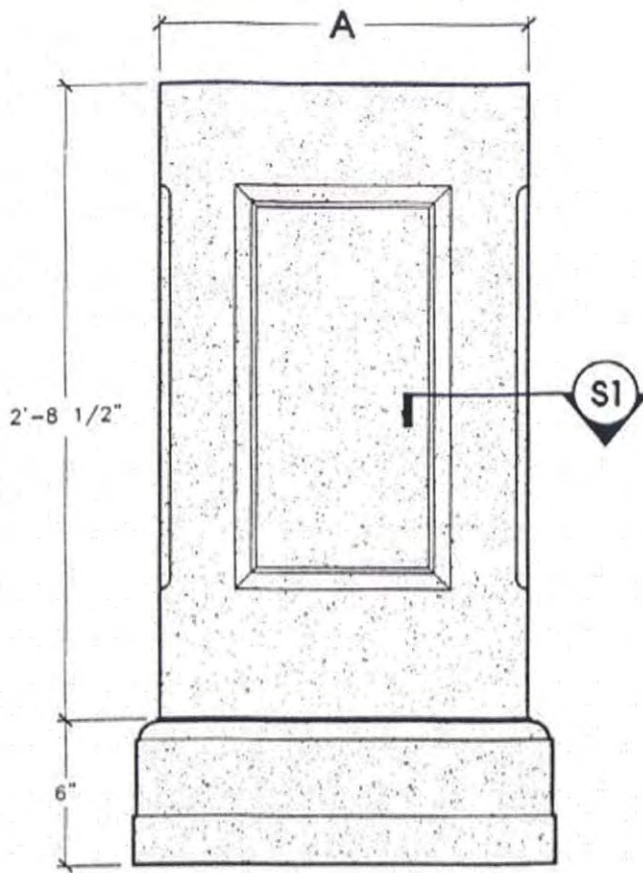


SCCAP-104



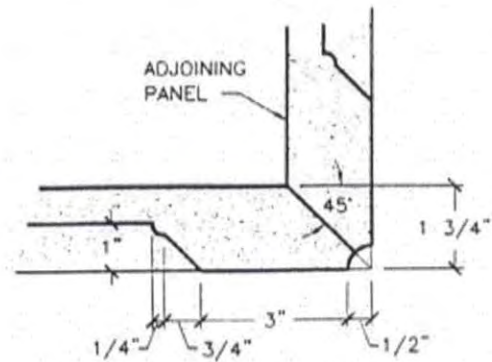
NEWEL POSTS & PANELS



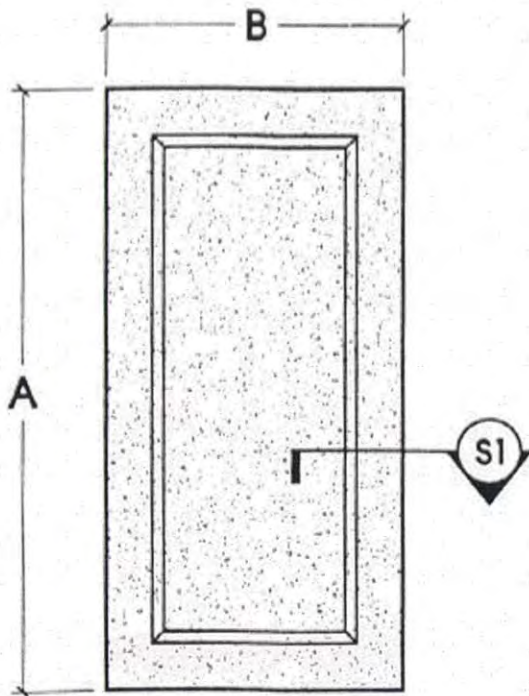


SCNP-102

SIZE CHART	
A	
16", 17" & 18"	

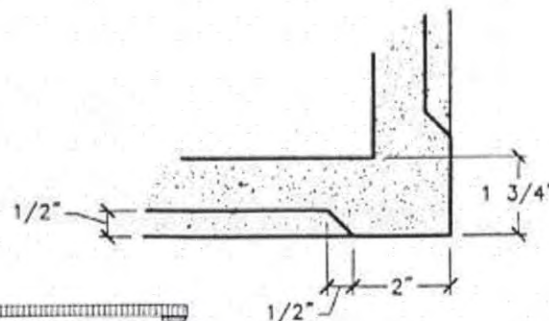


SECTION S1



SCNP-101

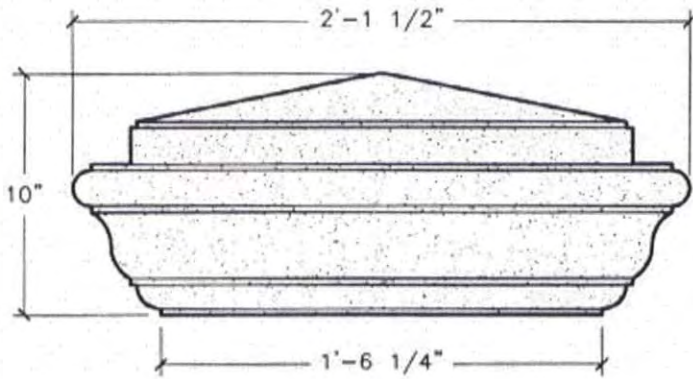
SIZE CHART	
A	B
36"	8"
42"	8"
36"	10"
42"	10"
36"	12"
42"	12"



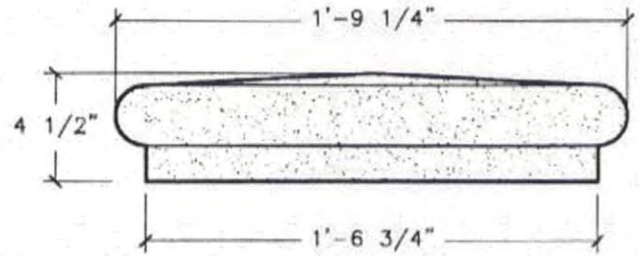
PIER CAPS



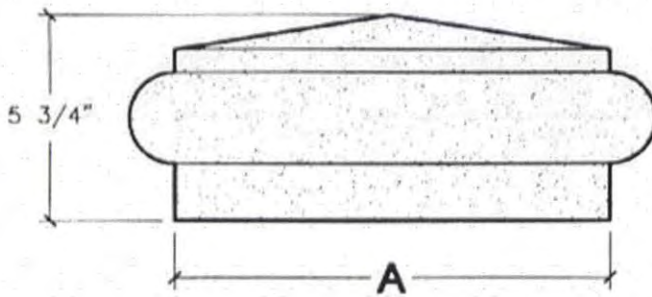
PIER CAPS



SCPC-101

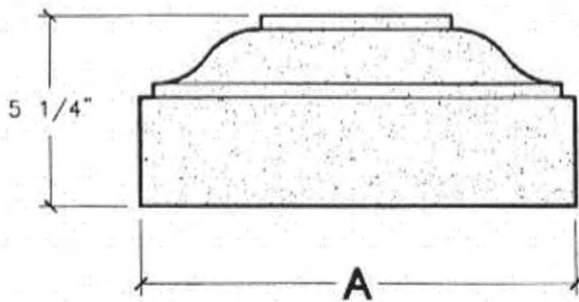


SCPC-102



SCPC-103

SIZE CHART	
A	
	12"
	18"
	24"
	32"
	36"



SCPC-104

SIZE CHART	
A	
	12"
	18"
	24"
	32"
	36"

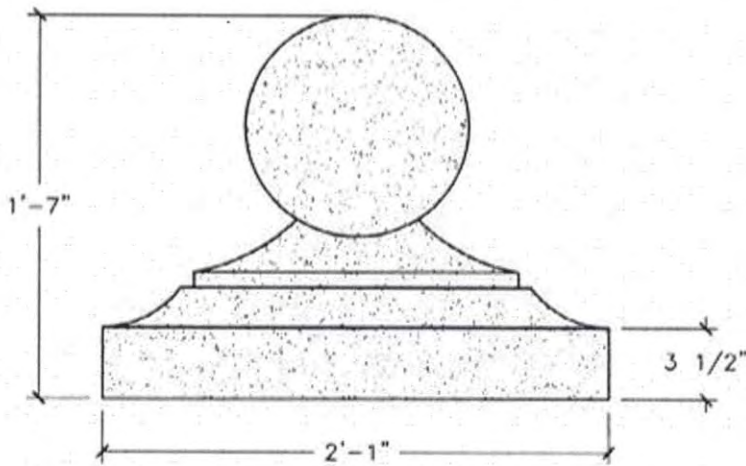


PIER CAPS



SIZE CHART
A
25"
33"

SCPC-105



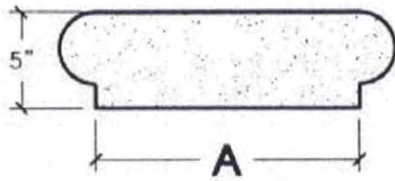
SCPC-106



WALL CAPS

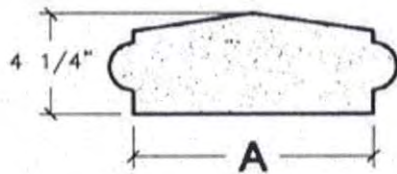


WALL CAPS



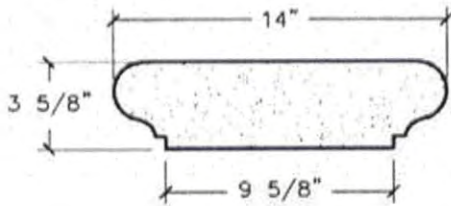
SIZE CHART
A
6" TO 24"

SCWC-101

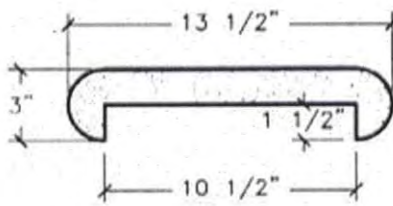


SIZE CHART
A
6" TO 26"

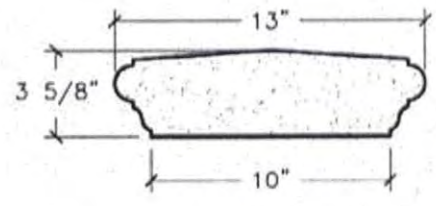
SCWC-102



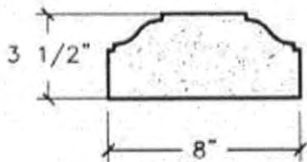
SCWC-103



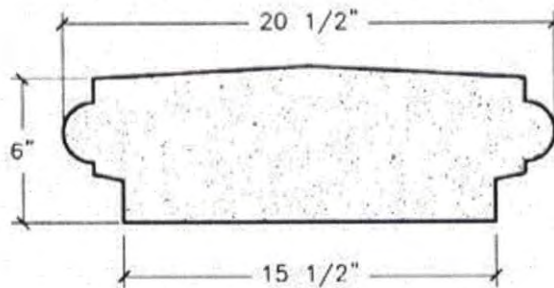
SCWC-104



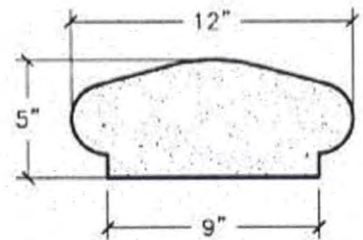
SCWC-105



SCWC-106



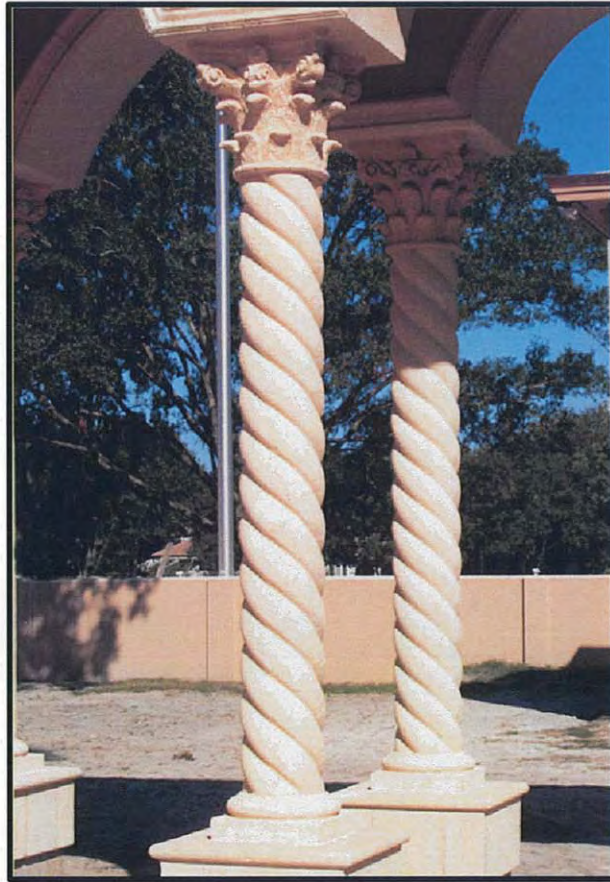
SCWC-107



SCWC-108



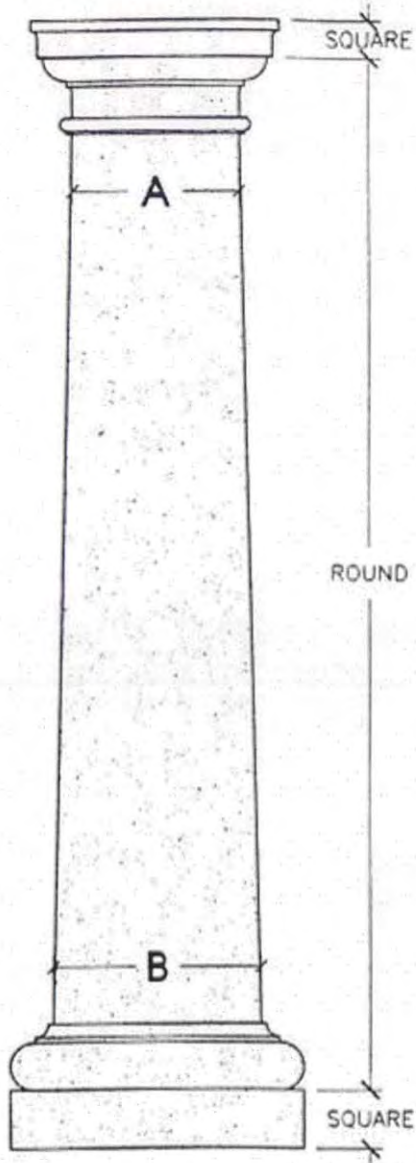
COLUMNS



COLUMNS



TUSCAN

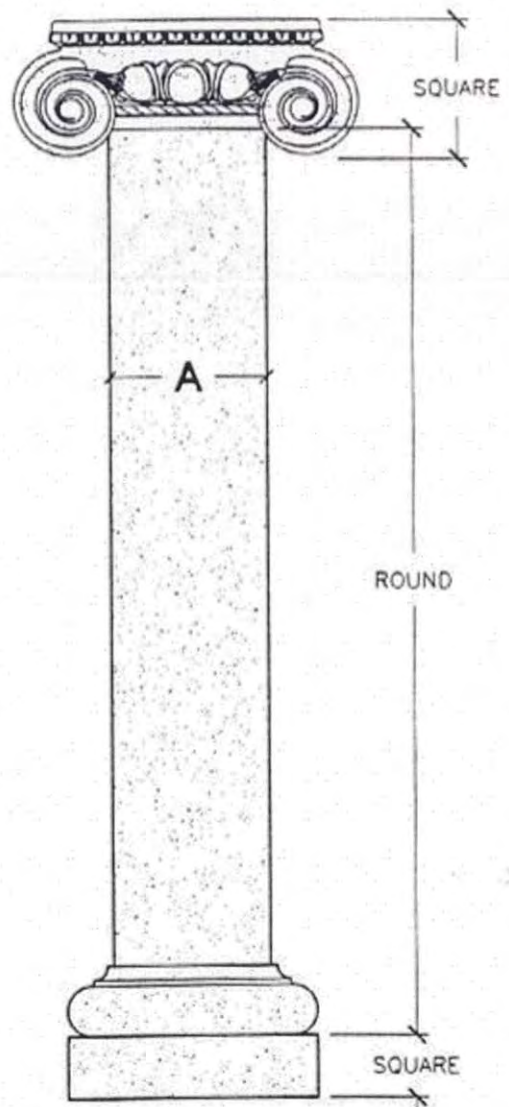


SCCLM-101

SIZE CHART	
A	B
6"	8"
8"	10"
10"	12"
12"	14"
14"	16"
16"	20"
20"	24"

IONIC

SIZE CHART
A
6", 8", 10", 13"

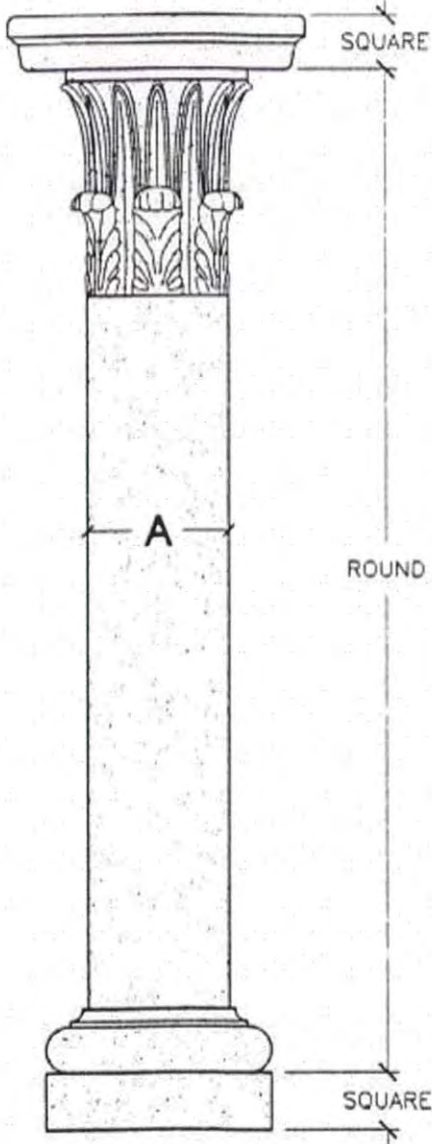


SCCLM-102



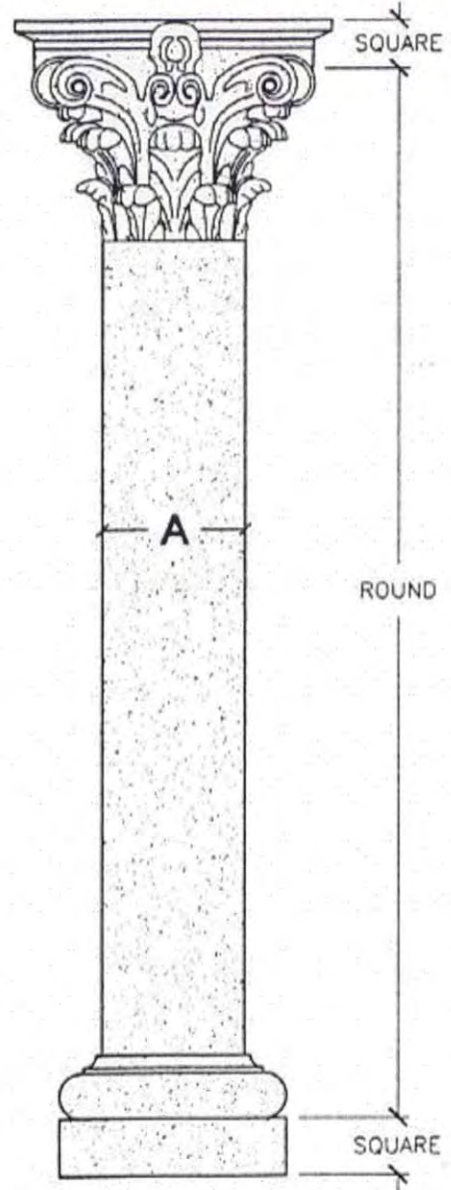
TEMPLE OF WINDS

SIZE CHART
A
5", 6", 8", 10"



SCCLM-103

SIZE CHART
A
6", 8", 10", 12", 14"



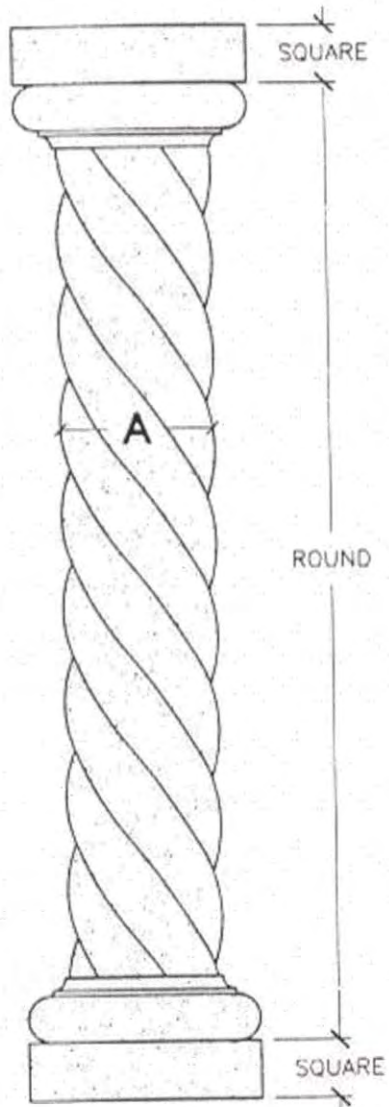
SCCLM-104

CORINTHIAN

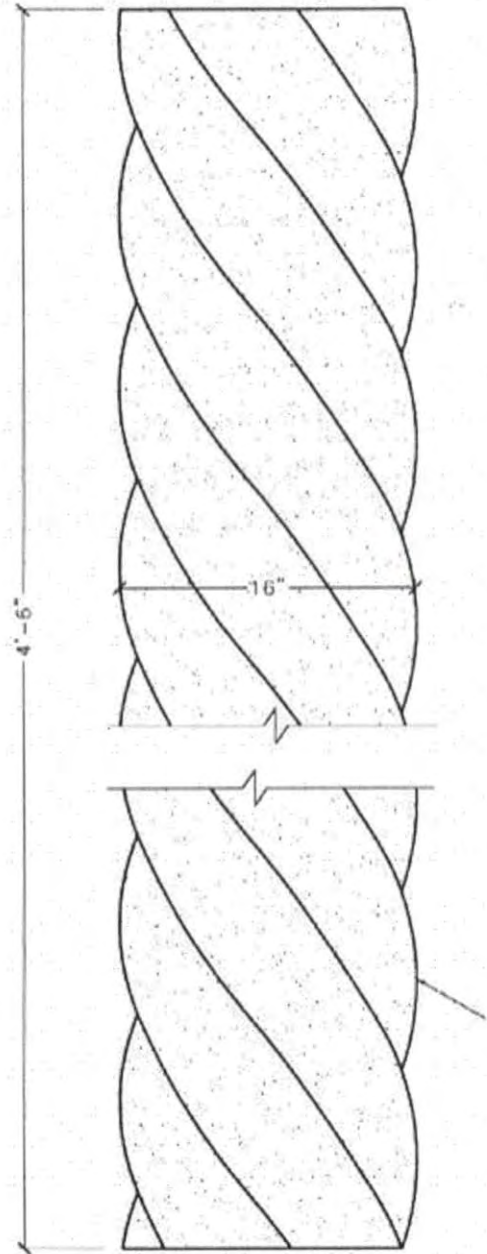


ROPE COLUMN

SIZE CHART
A
6", 8", 12", 16"



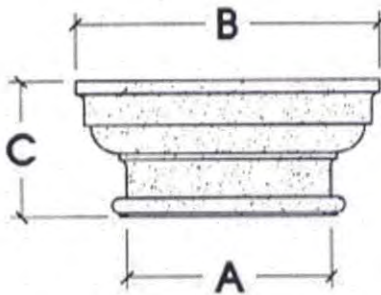
SCCLM-105



FRONT VIEW

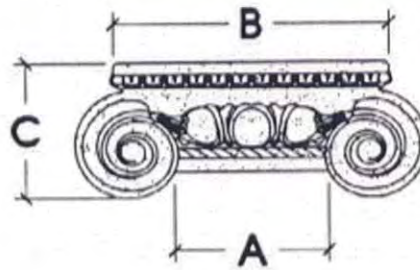
COLUMN CAP AND BASE

SIZE CHART		
A	B	C
6"	11"	5"
8"	13"	5 1/2"
10"	14"	5 1/2"
12"	16"	5 1/2"
14"	17 1/2"	6"
16"	20"	6"
20"	24"	7 1/2"



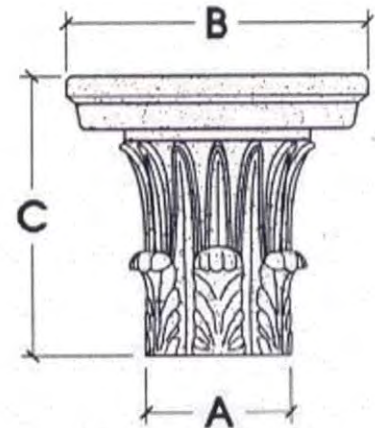
SCCAP-101

SIZE CHART		
A	B	C
6"	8"	3"
8"	10"	4 1/2"
10"	12"	6 1/2"
13"	17 1/2"	8 1/2"



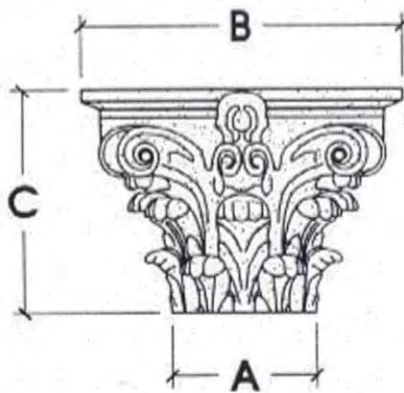
SCCAP-102

SIZE CHART		
A	B	C
5"	7 3/4"	7 1/2"
6"	10 1/2"	8"
8"	13 1/2"	10"
10"	15 1/2"	10 1/2"



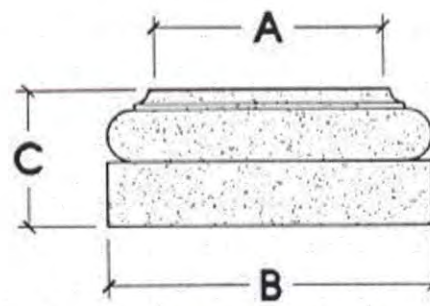
SCCAP-103

SIZE CHART		
A	B	C
6"	12"	8"
8"	15 1/2"	11"
10"	19 1/4"	14"
12"	22 1/2"	17"
14"	25"	20"



SCCAP-104

SIZE CHART		
A	B	C
8"	10 1/2"	4 1/2"
10"	14"	6"
12"	16"	6"
14"	18"	6"
16"	20"	6"
20"	24"	7 1/2"
24"	28"	7 1/2"



SCCBASE-101



COLUMN SHAFTS

SIZE CHART
A
5", 6", 8", 10"



SCSHFT-101

SIZE CHART	
A	B
6"	8"
8"	10"
10"	12"
12"	14"
14"	16"
16"	20"
20"	24"



SCSHFT-102

SIZE CHART
A
6", 8", 12", 16"



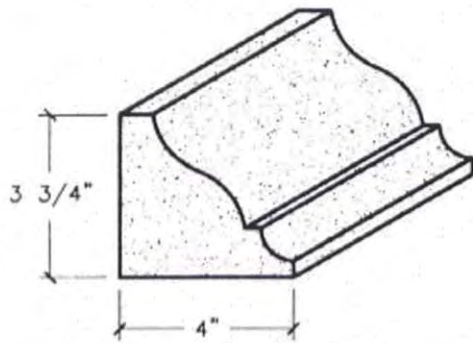
SCSHFT-103



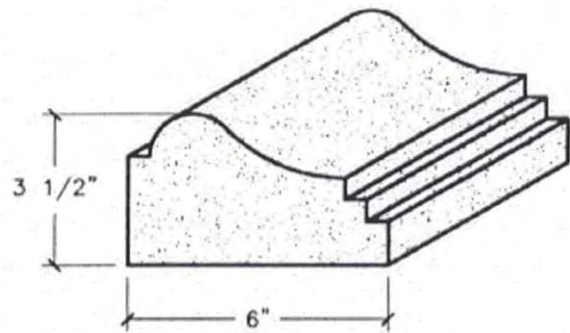
MOLDINGS



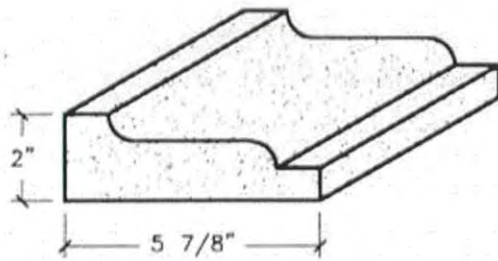
MOLDINGS



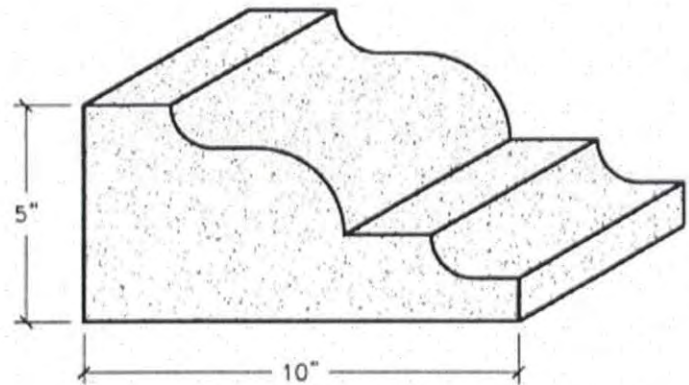
SCM-101



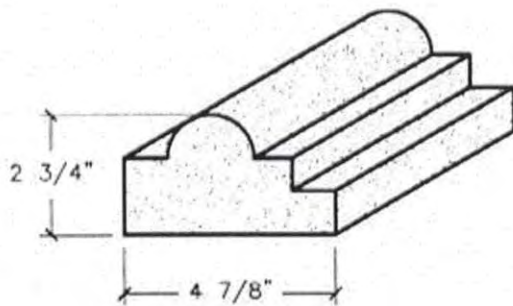
SCM-102



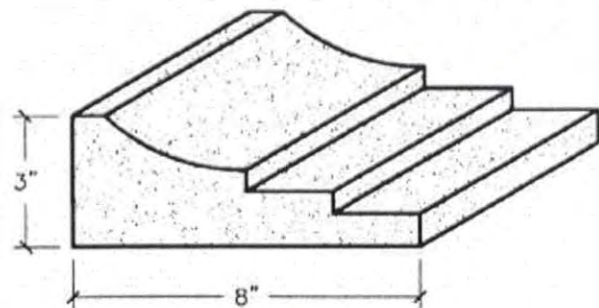
SCM-103



SCM-104



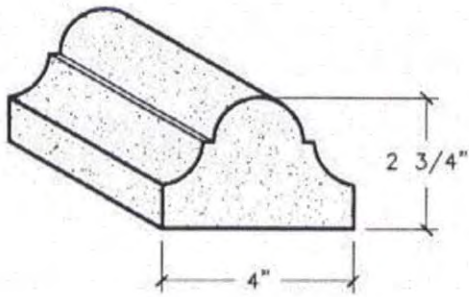
SCM-105



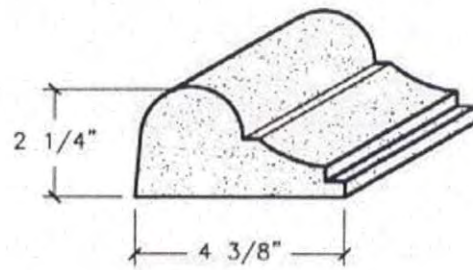
SCM-106



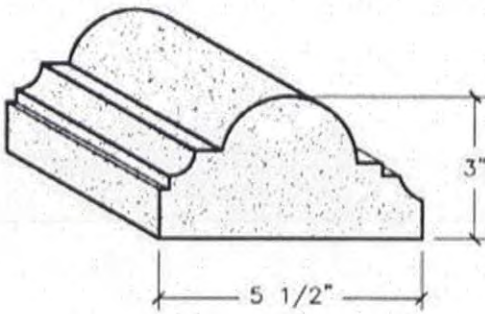
MOLDINGS



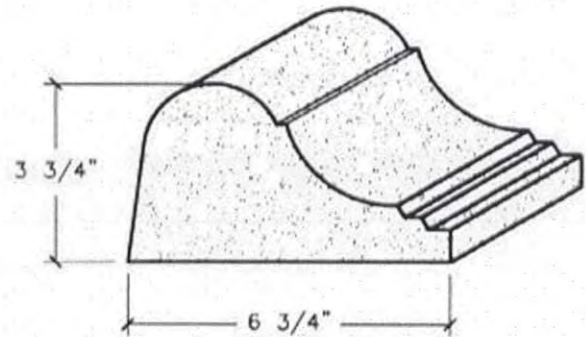
SCM-107



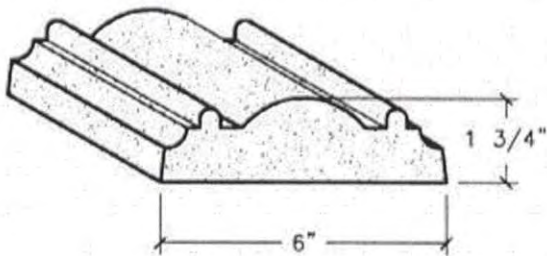
SCM-108



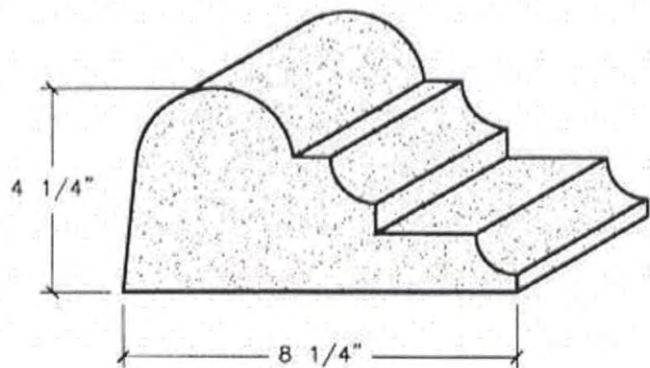
SCM-109



SCM-110



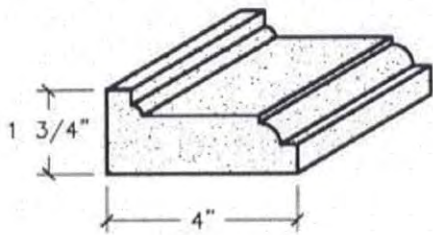
SCM-111



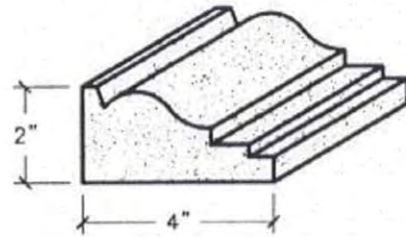
SCM-112



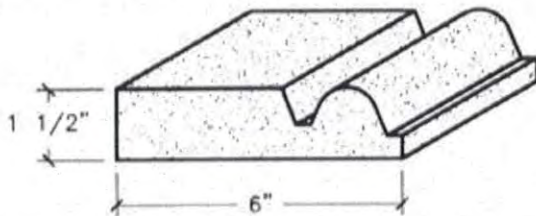
MOLDINGS



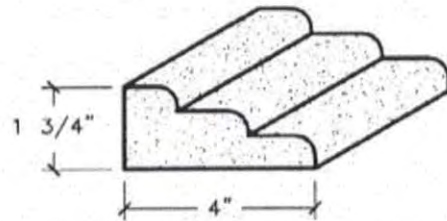
SCM-113



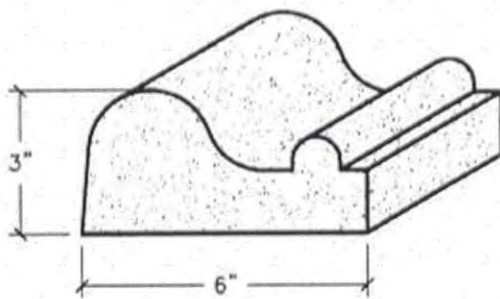
SCM-114



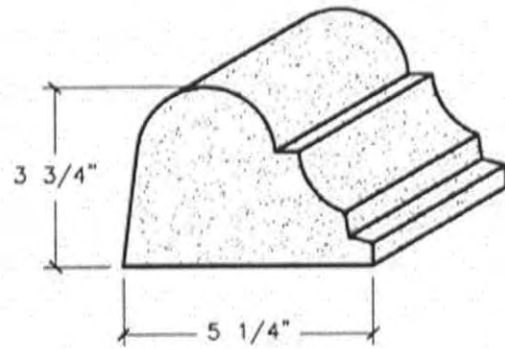
SCM-115



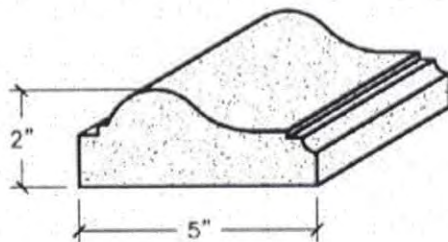
SCM-116



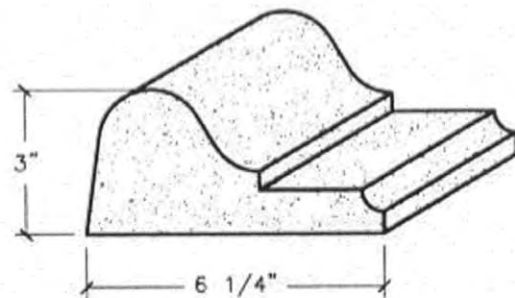
SCM-117



SCM-118

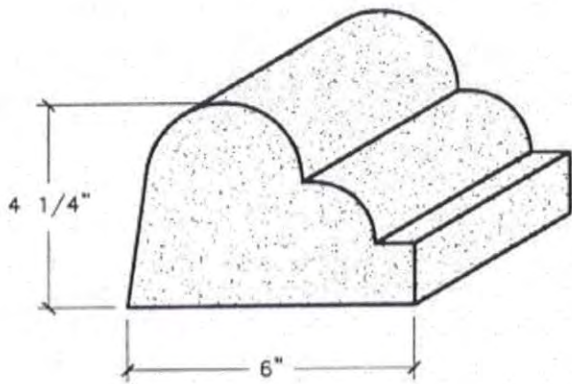


SCM-119

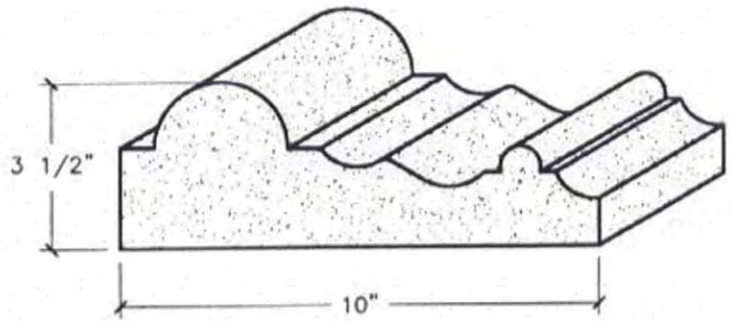


SCM-120

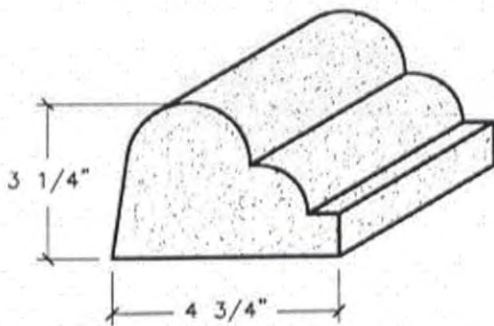
MOLDINGS



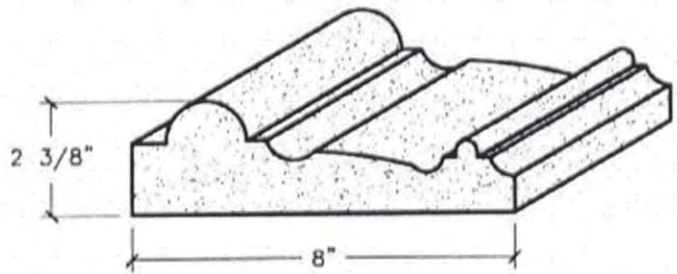
SCM-121-6



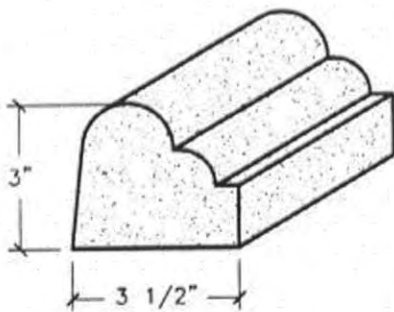
SCM-122-10



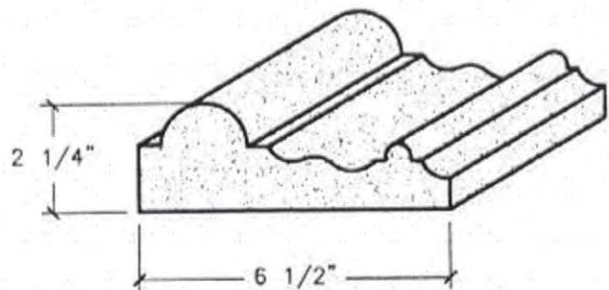
SCM-121-4



SCM-122-8



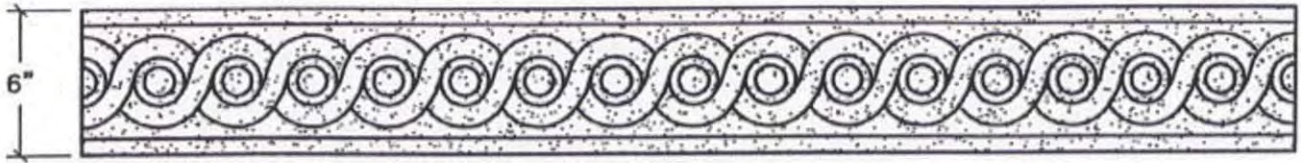
SCM-121-3



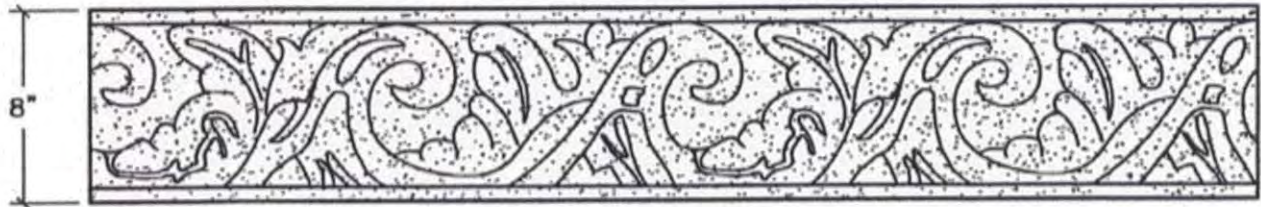
SCM-122-6



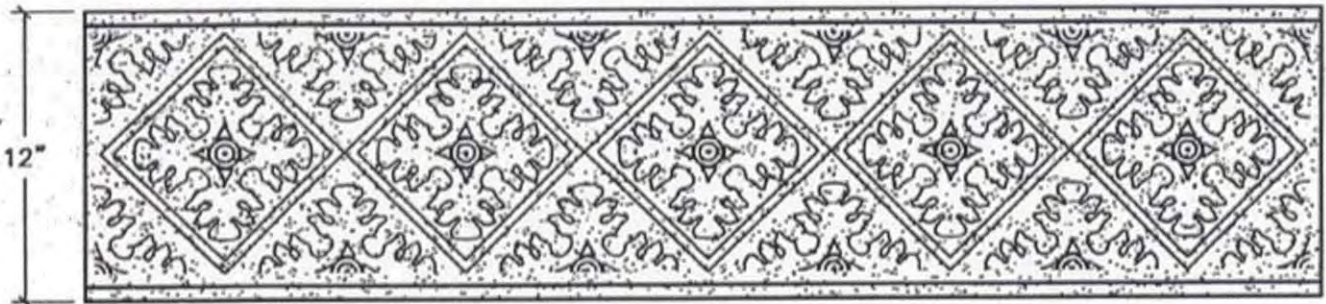
MOULDINGS



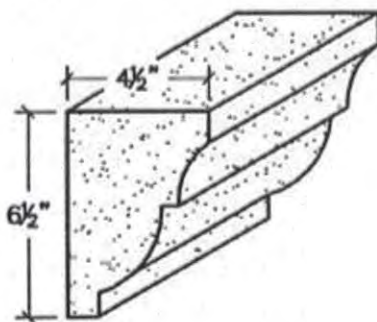
SCM-123



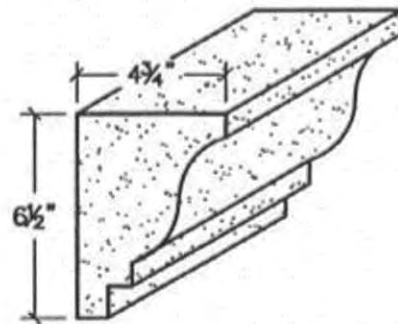
SCM-124



SCM-125



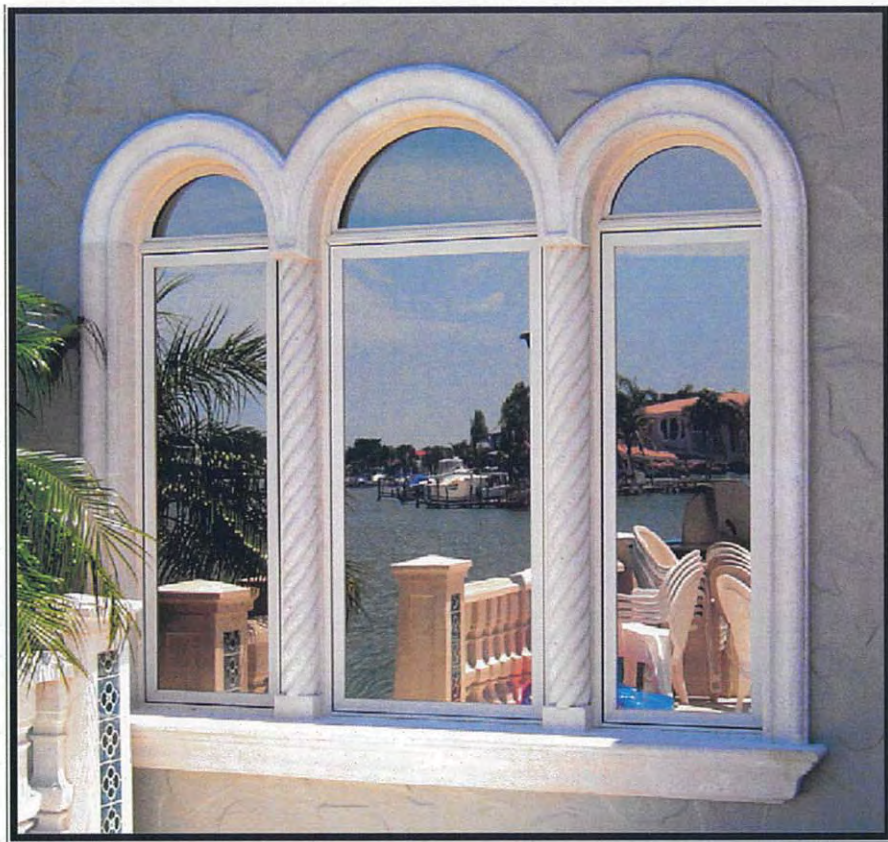
SCM-126



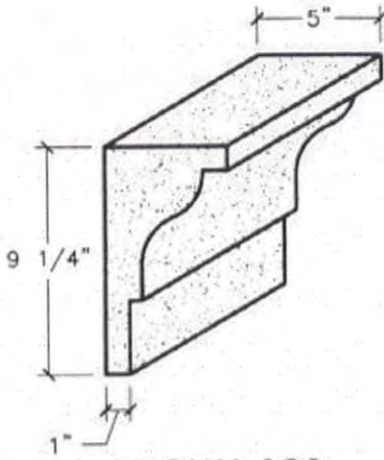
SCM-127



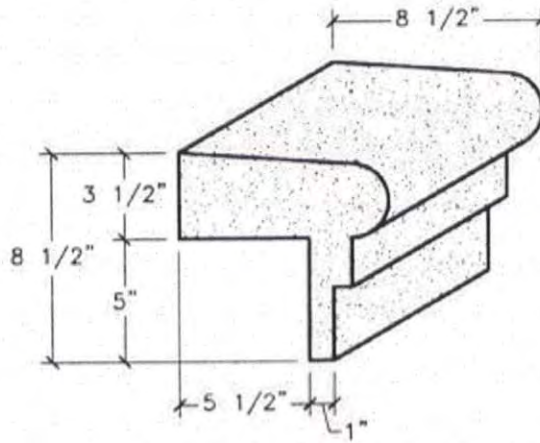
WINDOW SILLS



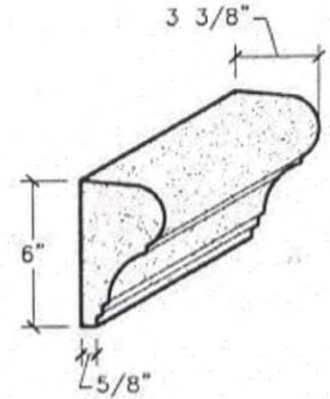
WINDOW SILLS



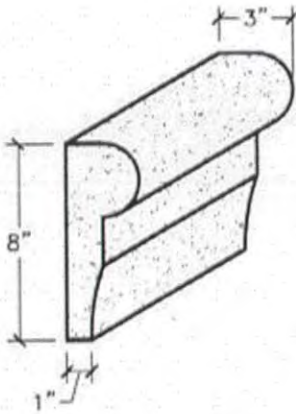
SCWS-101



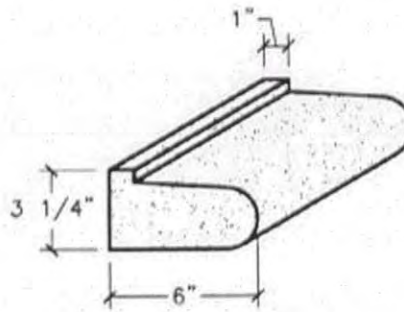
SCWS-102



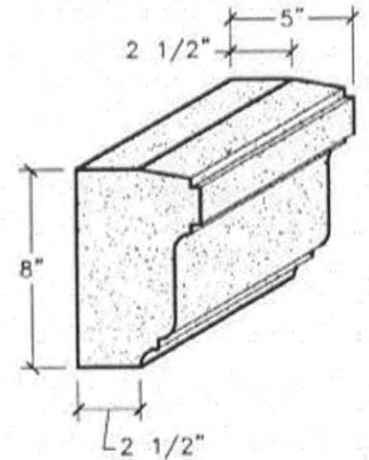
SCWS-103



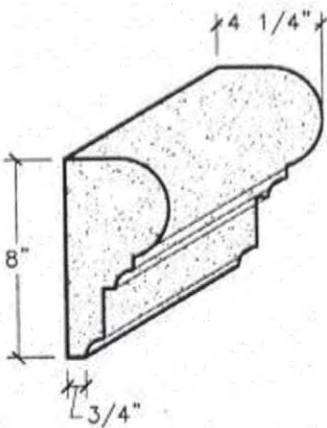
SCWS-104



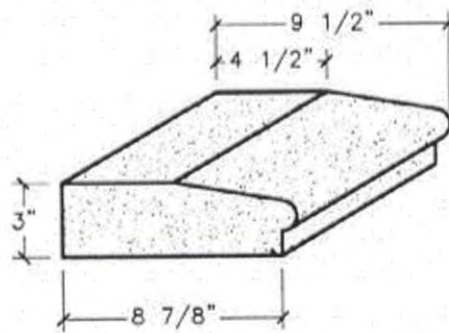
SCWS-105



SCWS-106



SCWS-107



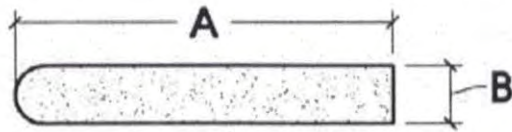
SCWS-108



STAIR TREADS

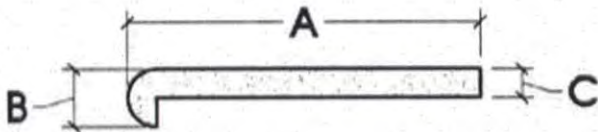


STAIR TREADS



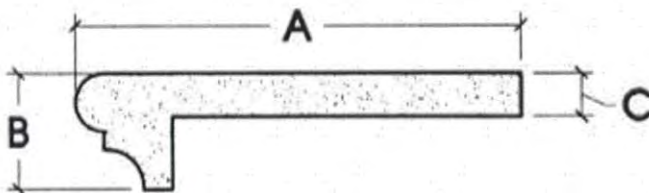
SIZE CHART	
A	B
6" TO 24"	1 1/4"
6" TO 24"	1 1/2"
6" TO 24"	2"
6" TO 24"	3"

SCST-101



SIZE CHART		
A	B	C
6" TO 24"	1 1/4"	3/4", 1"
6" TO 24"	1 1/2"	3/4", 1", 1 1/4"
6" TO 24"	2"	3/4", 1", 1 1/4", 1 1/2"
6" TO 24"	3"	3/4", 1", 1 1/4", 1 1/2"

SCST-102



SIZE CHART		
A	B	C
6" TO 24"	1 1/4"	3/4", 1"
6" TO 24"	1 1/2"	3/4", 1", 1 1/4"
6" TO 24"	2"	3/4", 1", 1 1/4", 1 1/2"
6" TO 24"	3"	3/4", 1", 1 1/4", 1 1/2"

SCST-103

NOTE:
 FLAT STOCK FLOORING IS AVAILABLE IN
 VARIOUS SIZES: 12"x12", 18"x18", 24"x24".
 CUSTOM SIZES ALSO AVAILABLE.

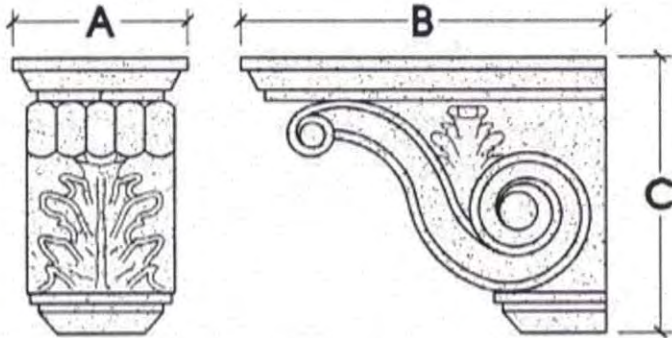


CORBELS

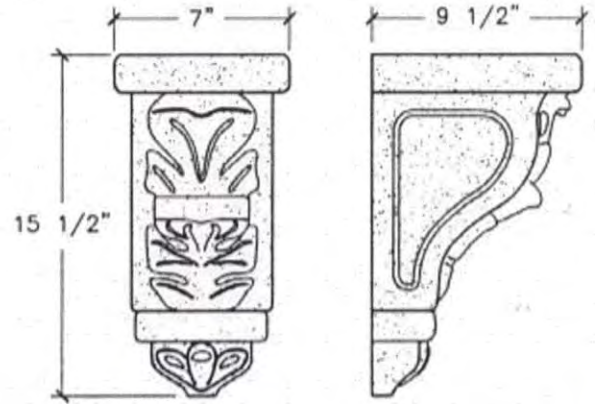


CORBELS

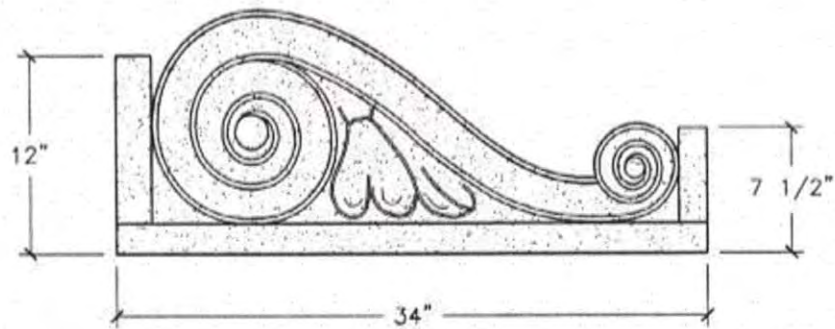
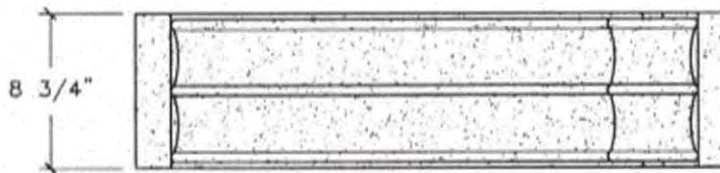
SIZE CHART		
A	B	C
6"	13"	9"
6"	10"	7"



SCCORB-101



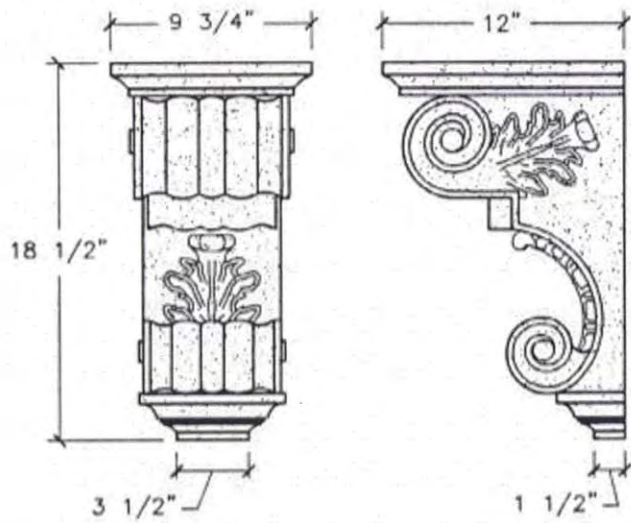
SCCORB-102



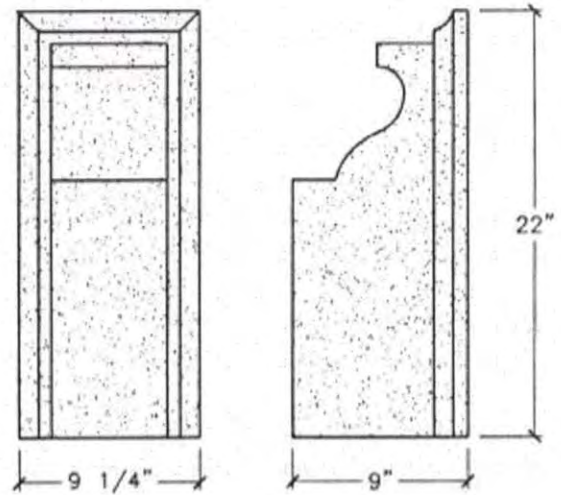
SCCORB-103



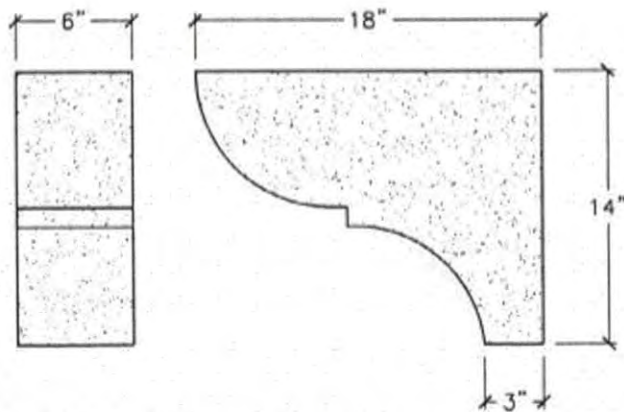
CORBELS



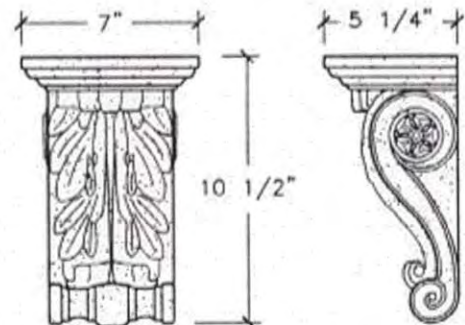
SCCORB-104



SCCORB-105



SCCORB-106



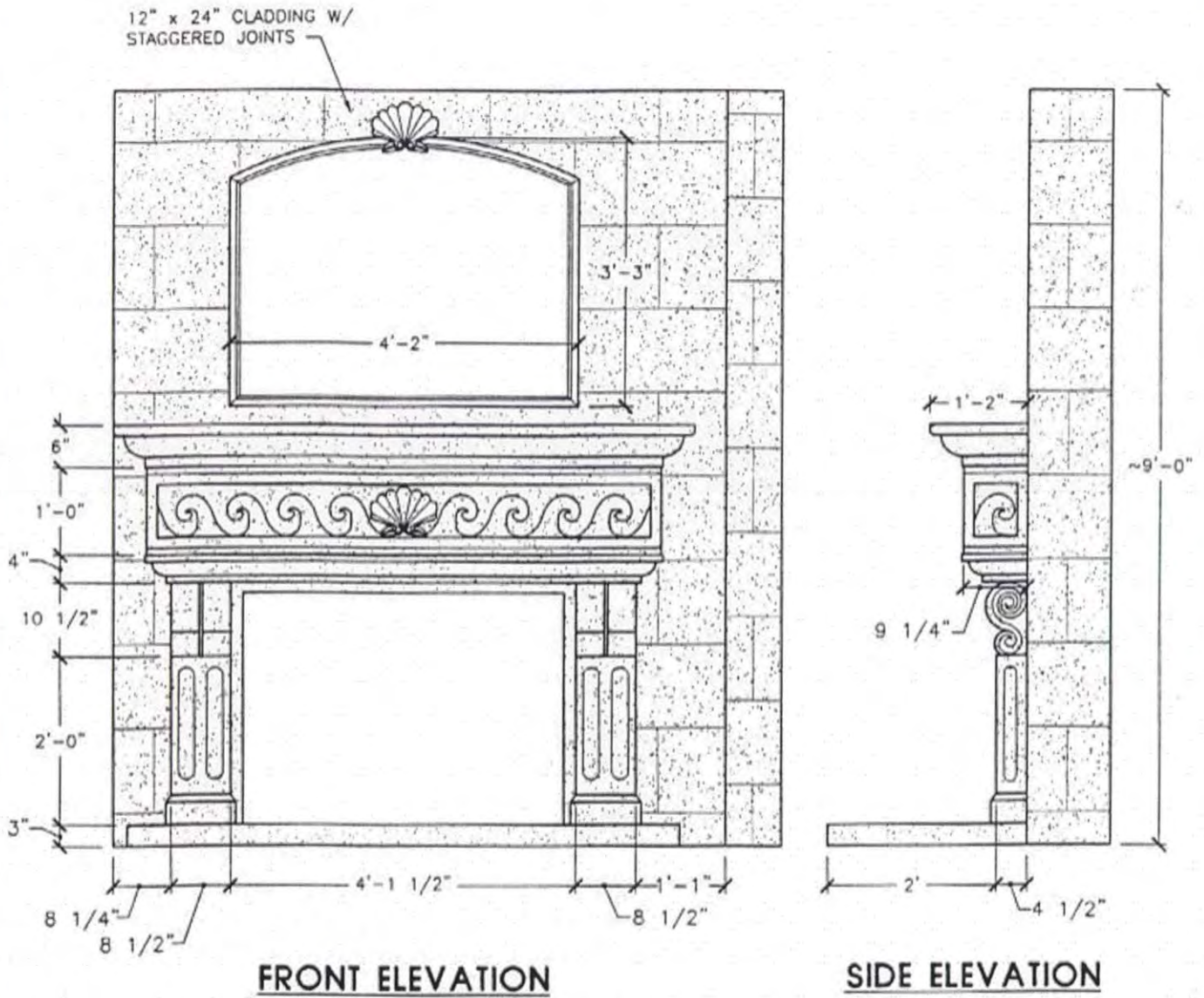
SCCORB-107



FIREPLACES



FIREPLACE

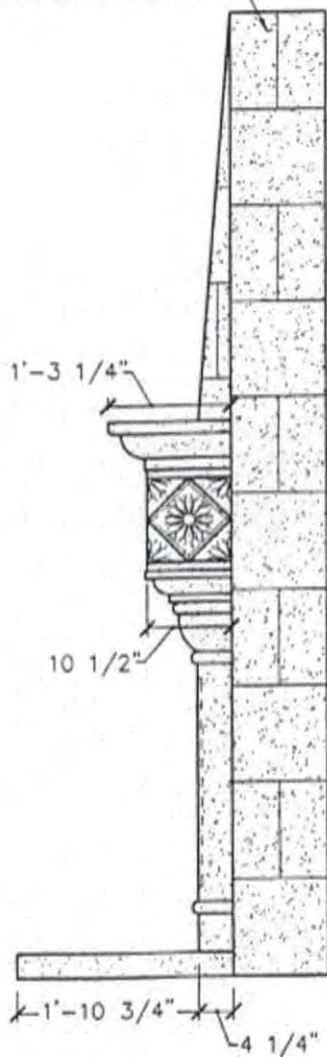


SCFP-101

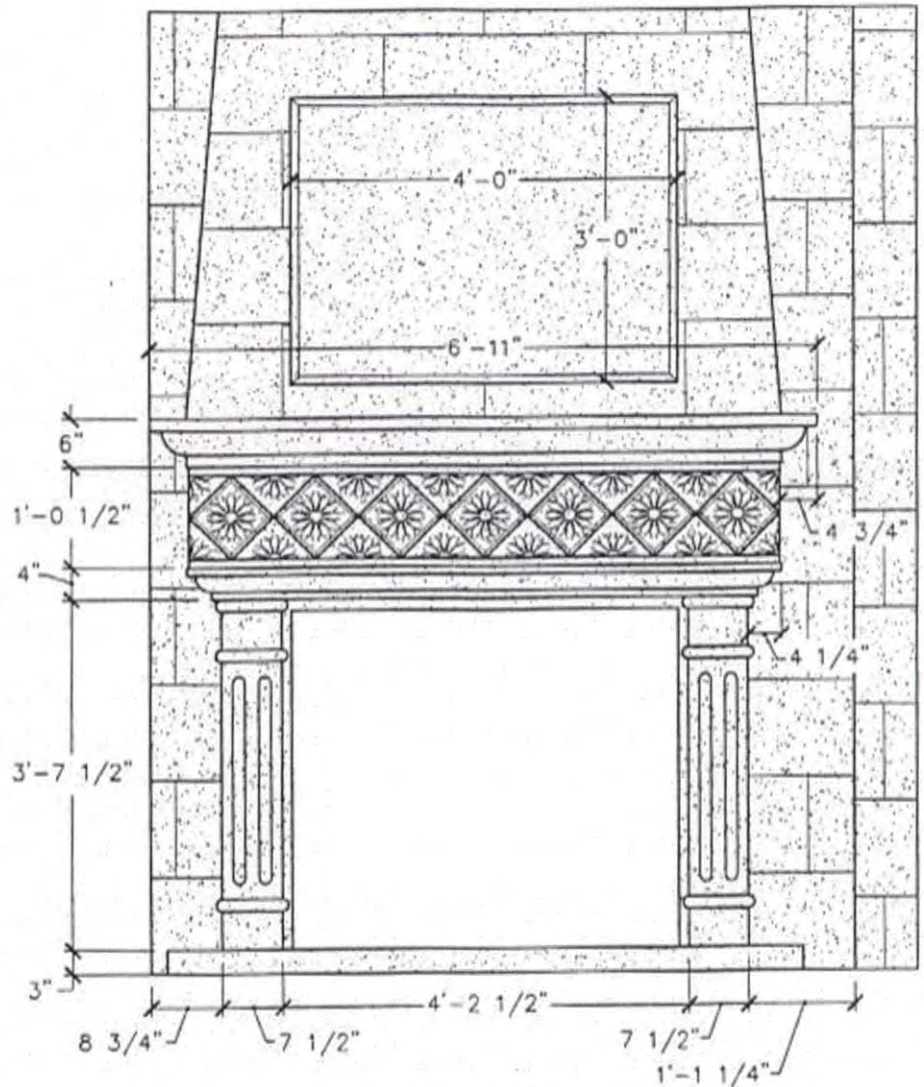


FIREPLACE

12" x 24" CLADDING W/
STAGGERED JOINTS



SIDE ELEVATION

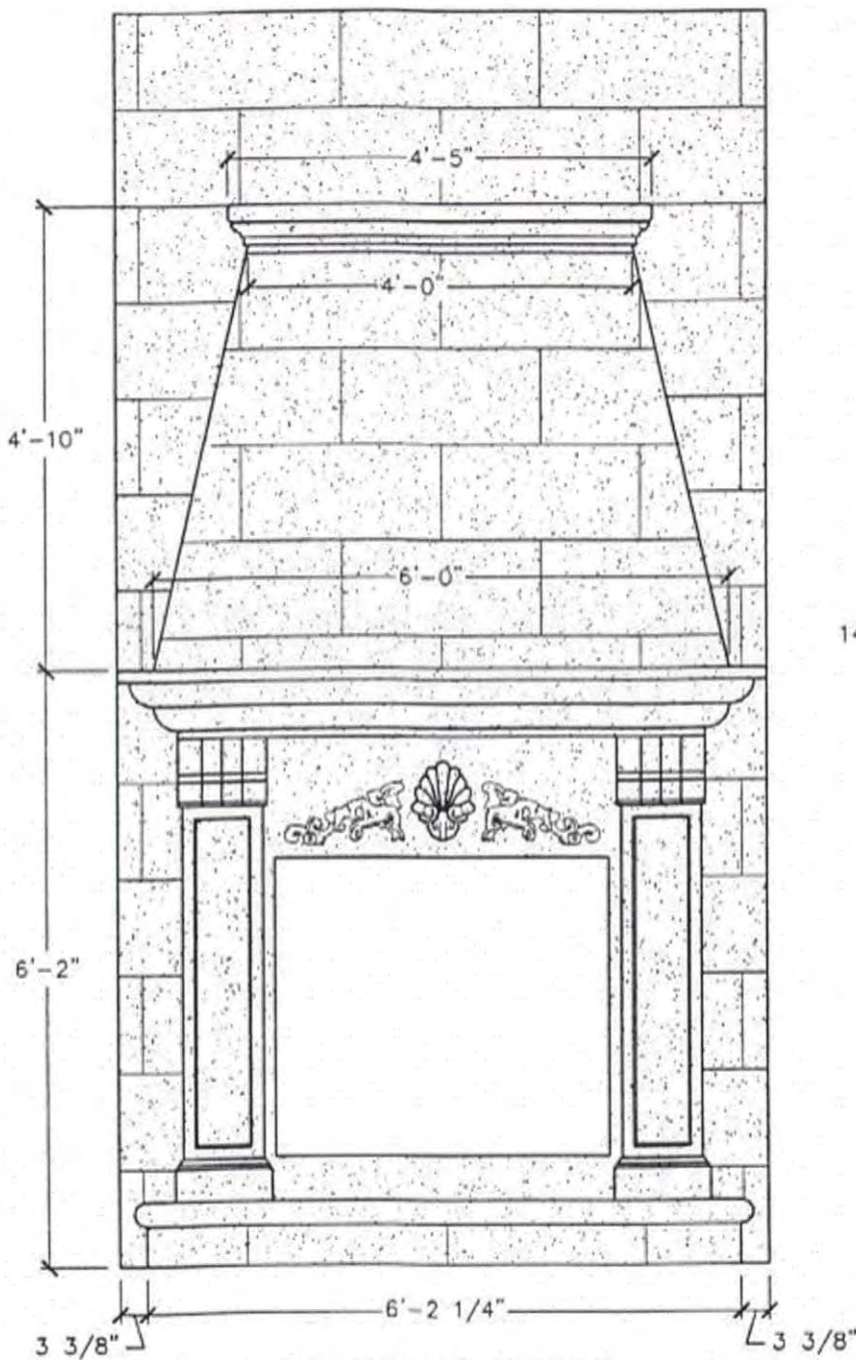


FRONT ELEVATION

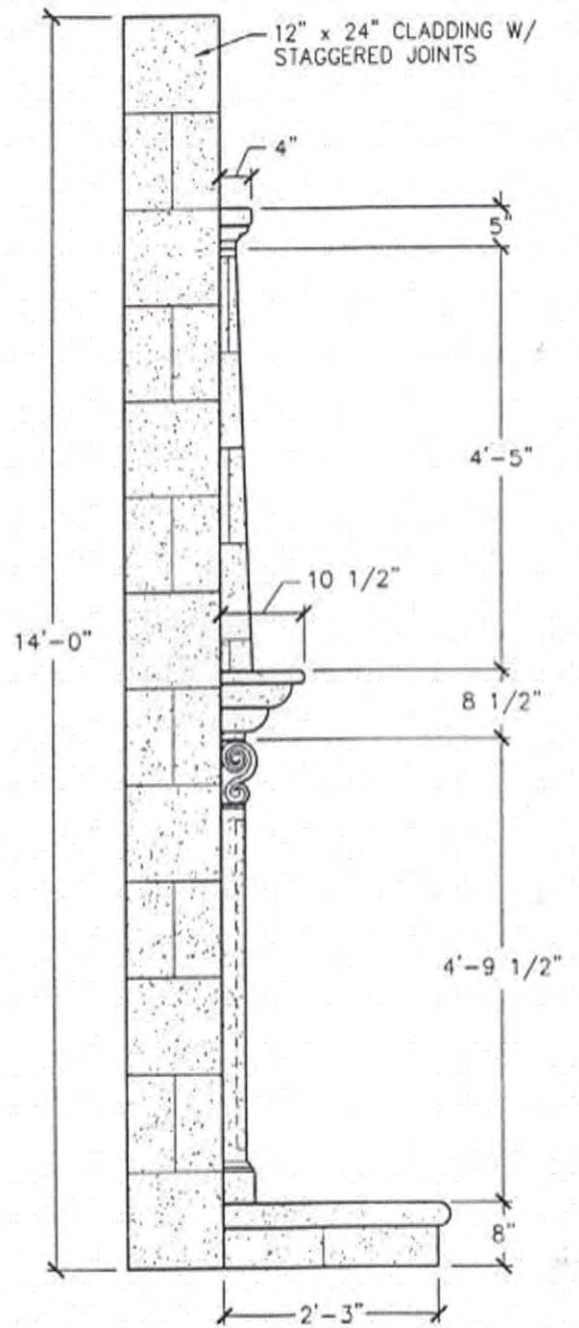
SCFP-102



FIREPLACE



FRONT ELEVATION



SIDE ELEVATION

SCFP-103



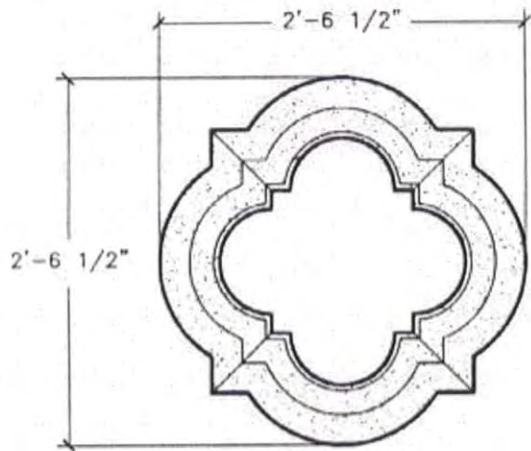
MISCELLANEOUS



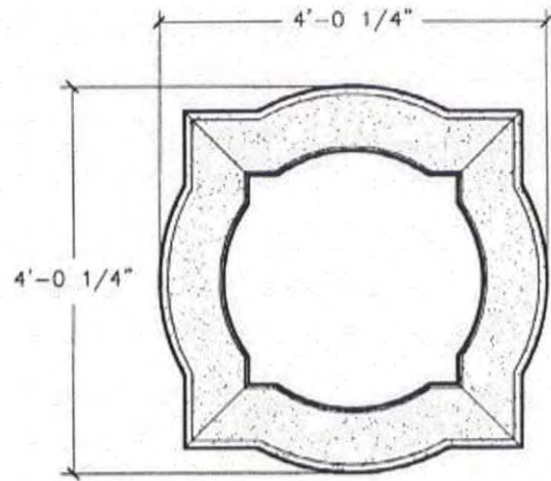
MISCELLANEOUS



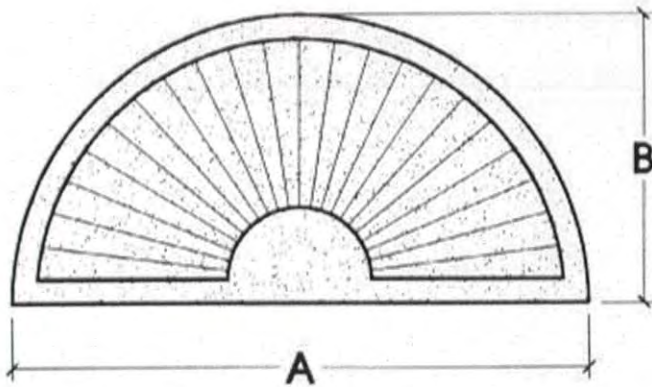
MISCELLANEOUS



SCQN-101



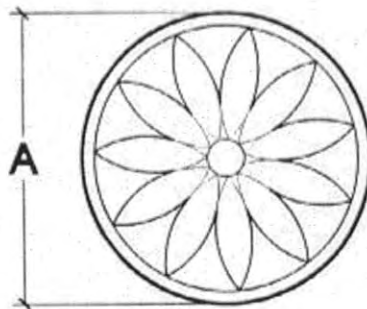
SCQN-102



SCPAN-101

SIZE CHART	
A	B
24"	12"
36"	18"
48"	24"

OTHER SIZES AVAILABLE

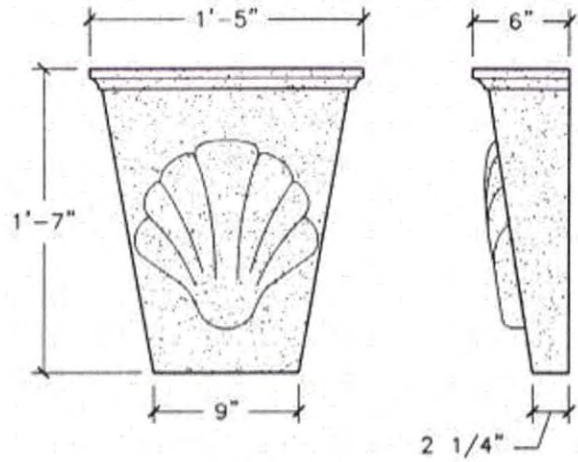


SCPAN-102

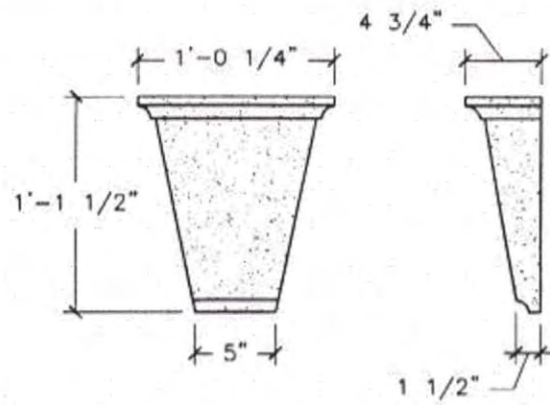
SIZE CHART
A
12"
18"
24"



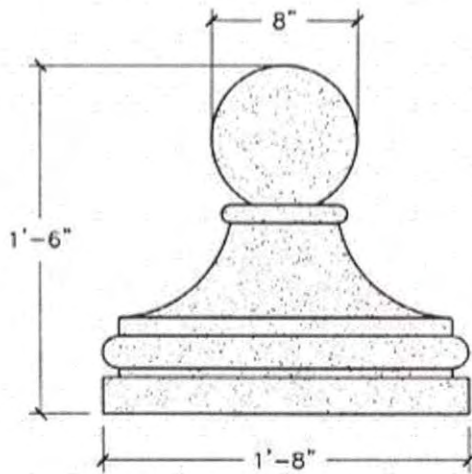
MISCELLANEOUS



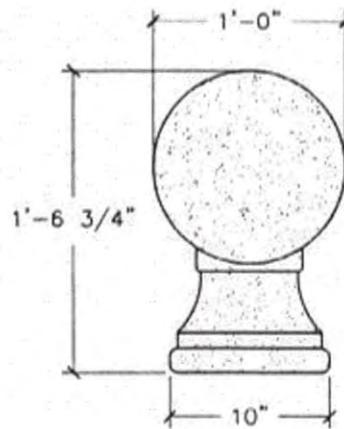
SCPAN-103



SCPAN-104



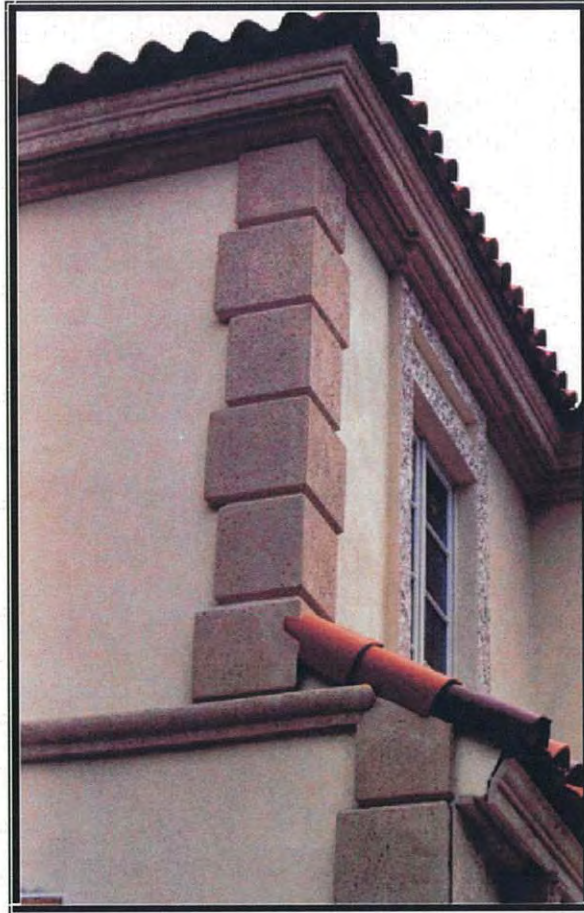
SCBAL-101



SCBAL-102



QUOINS



PAVERS



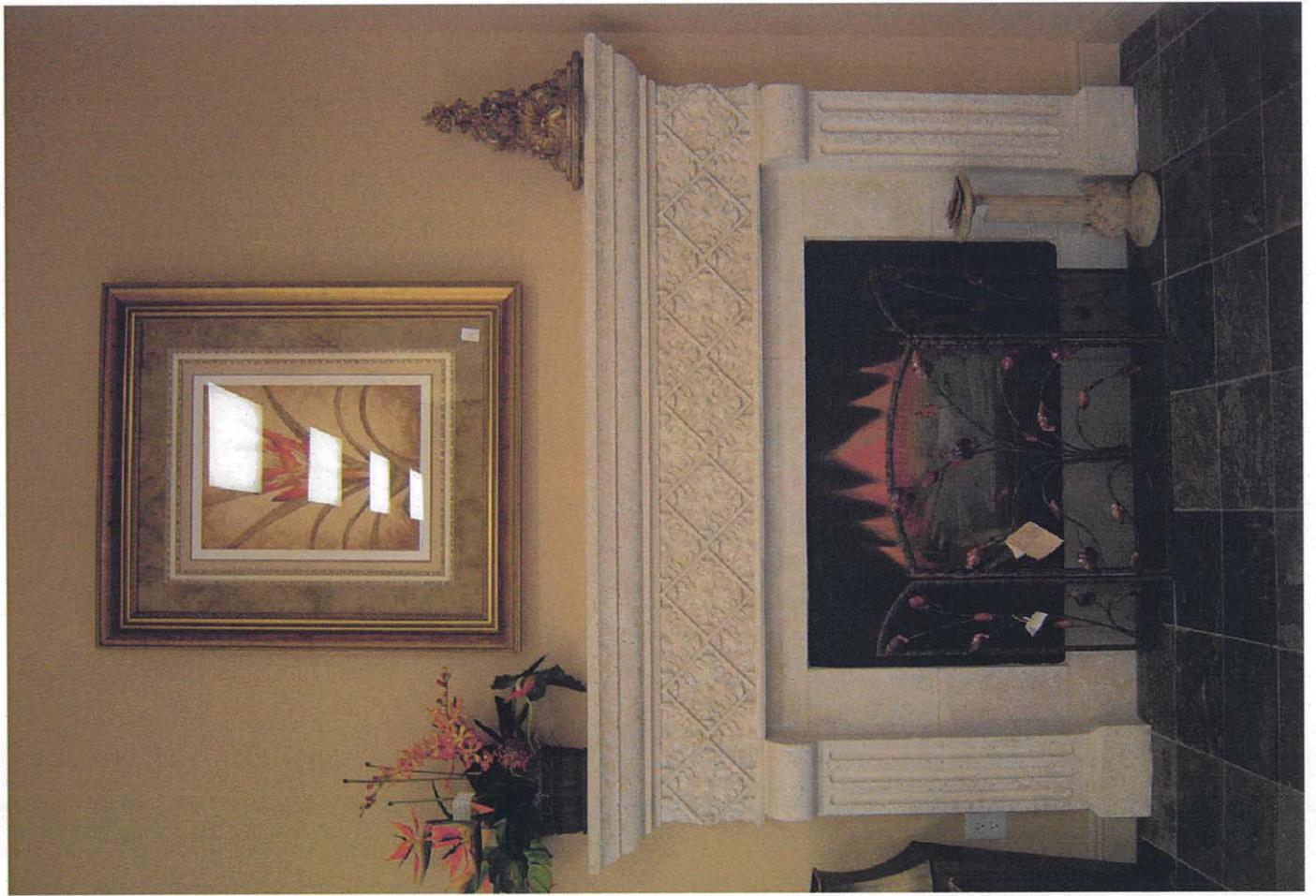
POOL COPING



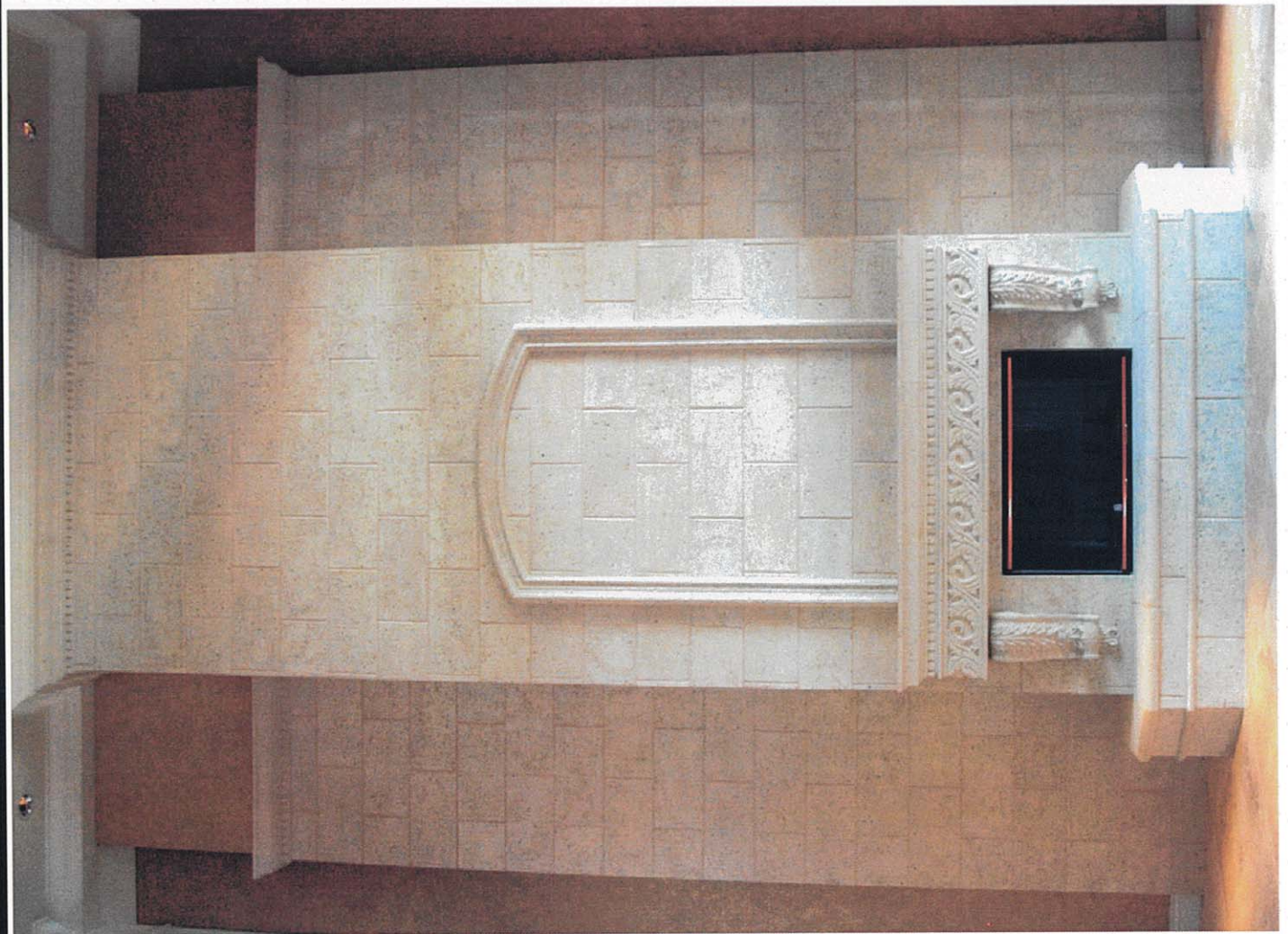


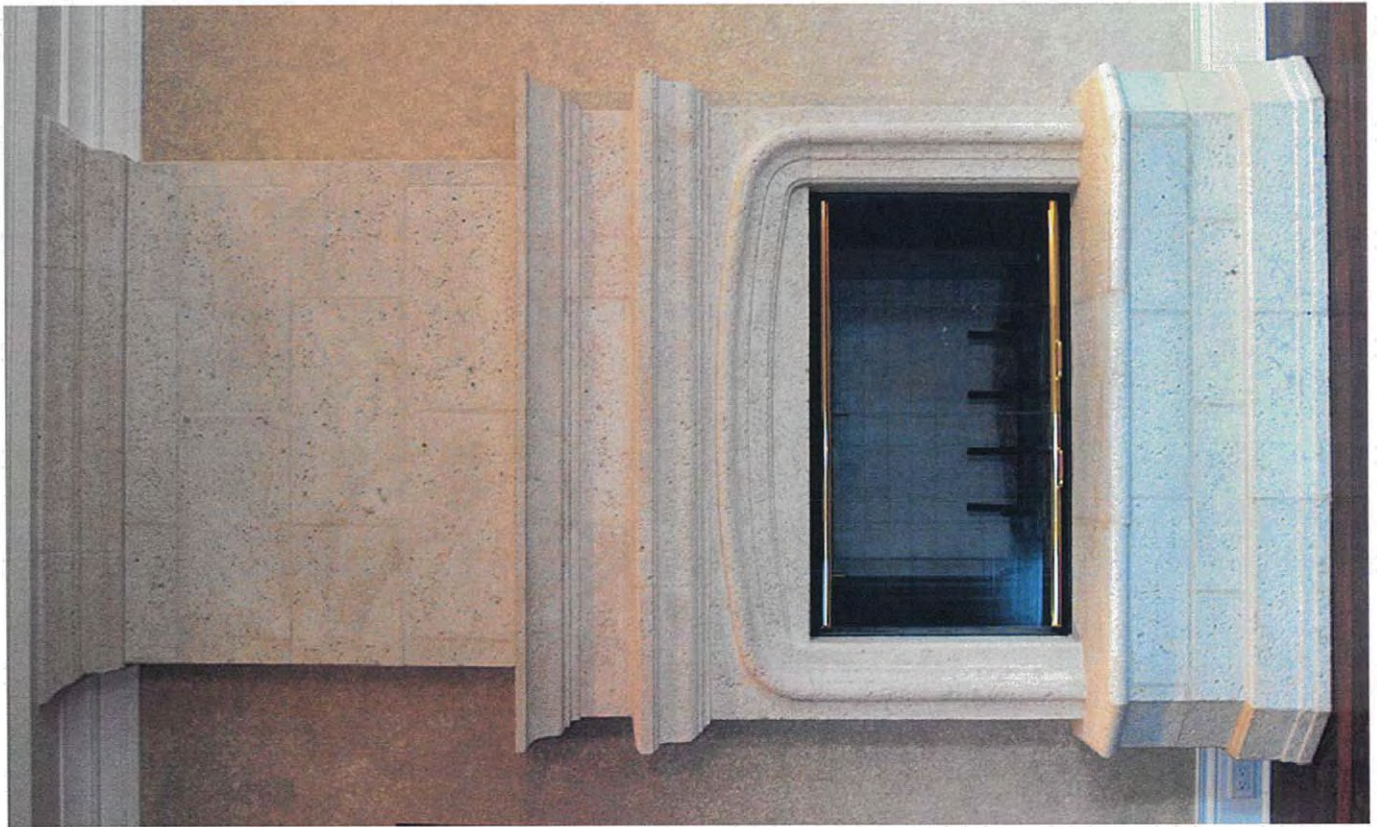






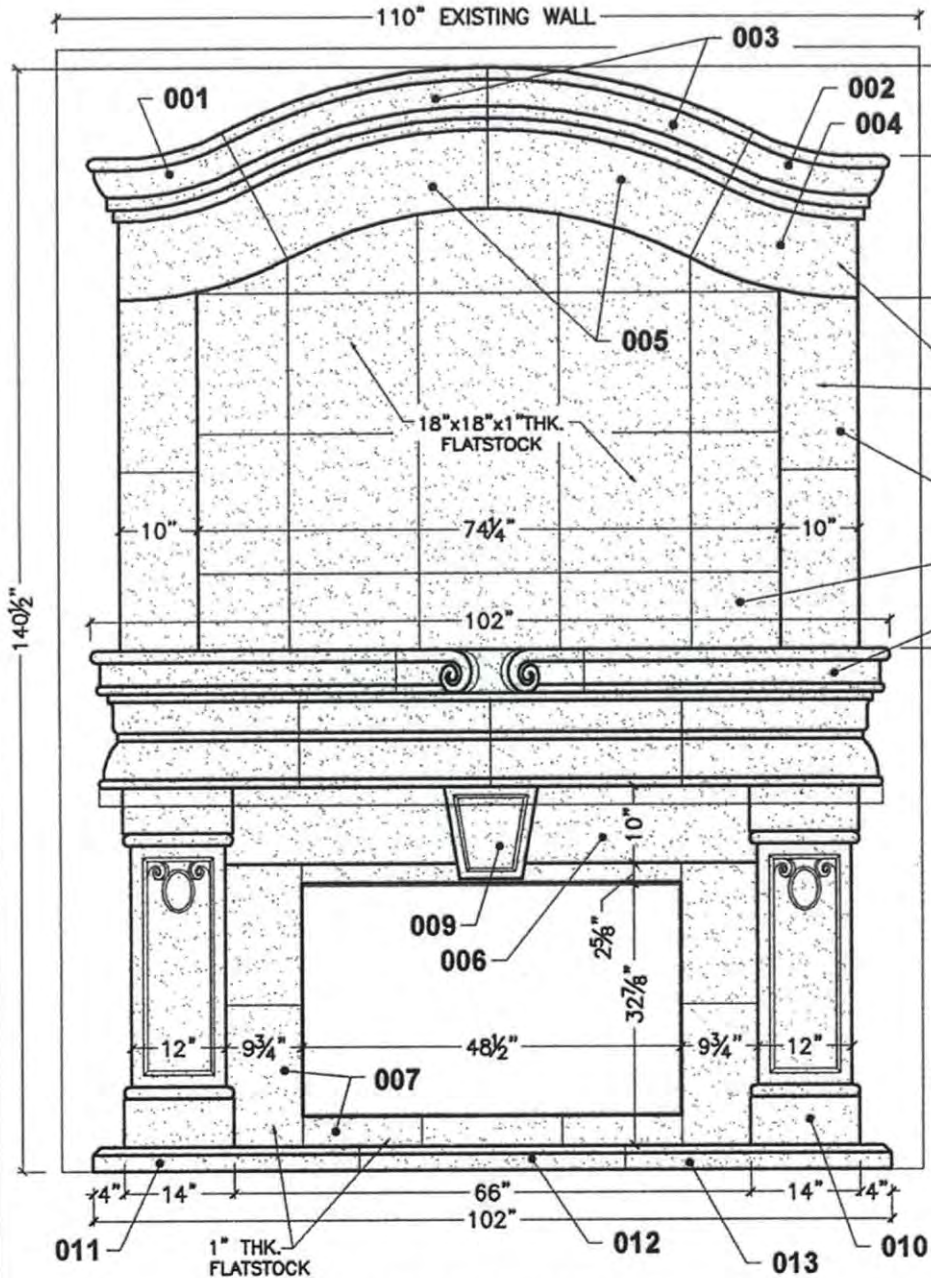






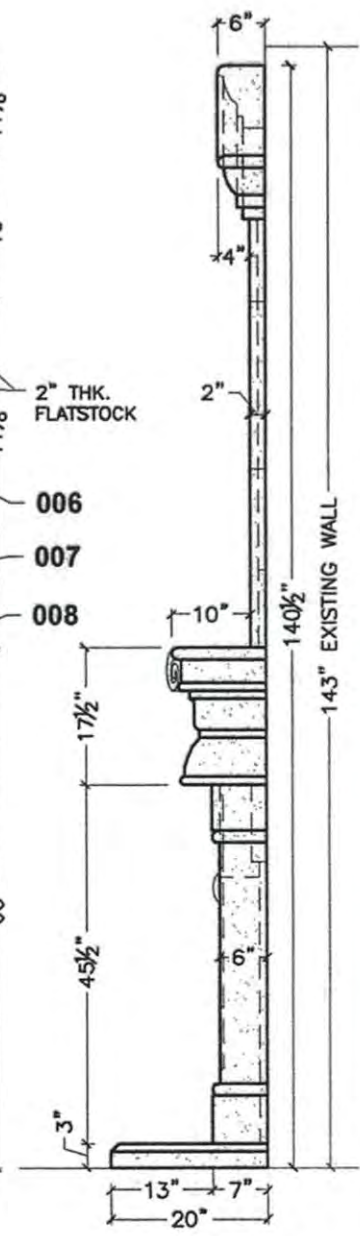


FINISH: KEYSTONE <input type="checkbox"/> SMOOTH <input type="checkbox"/> ACID-ETCH <input type="checkbox"/> OTHER <input type="checkbox"/>	TEXTURE: LIGHT <input type="checkbox"/> MEDIUM <input type="checkbox"/> HEAVY <input type="checkbox"/>	COLOR: <input type="checkbox"/> A <input type="checkbox"/> B <input type="checkbox"/> C <input type="checkbox"/> D OTHER: <input type="text"/>	GARY <input type="checkbox"/> DENNIS <input type="checkbox"/> SHOP <input type="checkbox"/> CONTRACTOR <input type="checkbox"/> ARCHITECT <input type="checkbox"/> FOR PRODUCTION <input type="checkbox"/>	LOCATION: --
		MARK: _____	QUANTITY: --	PART NO.: --



FRONT ELEVATION

NOT TO SCALE



SIDE ELEVATION

NOT TO SCALE



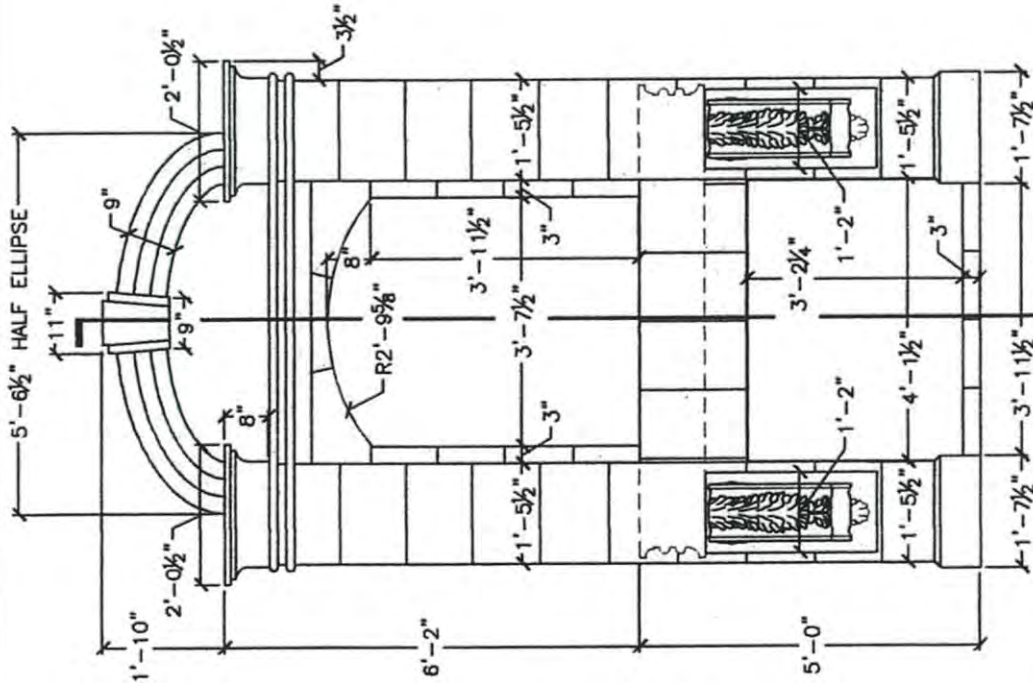
PROJECT: **FP121Choco**

TITLE: **FIREPLACE DETAIL OPTION #1**

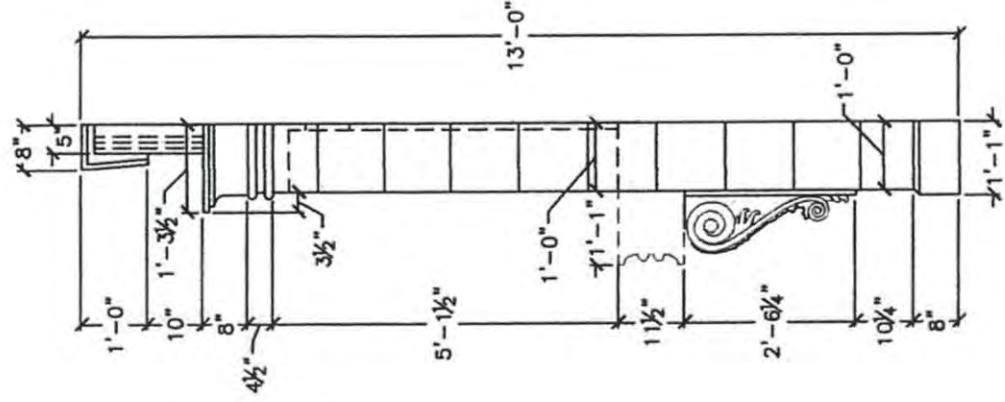
BUILDER/ARCHITECT APPROVAL: _____

HOMEOWNER APPROVAL: _____

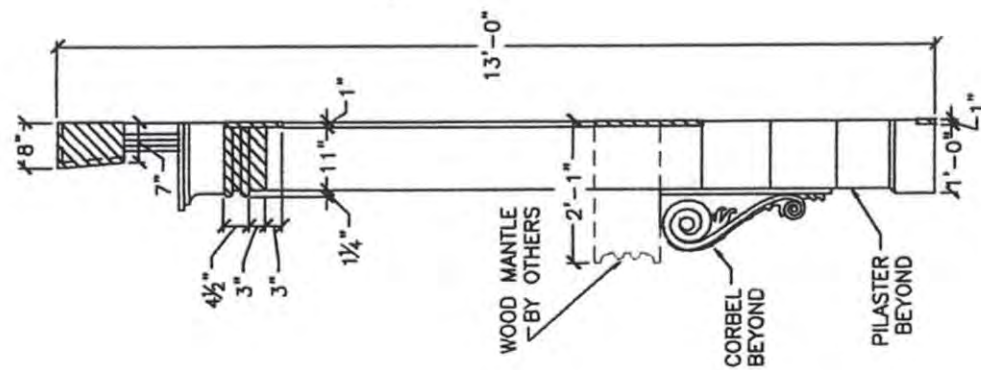
DATE: 7/9/03 SHEET: -



FRONT ELEVATION
SCALE: 3/8" = 1'-0"



SIDE ELEVATION
SCALE: 3/8" = 1'-0"



SECTION
SCALE: 3/8" = 1'-0"

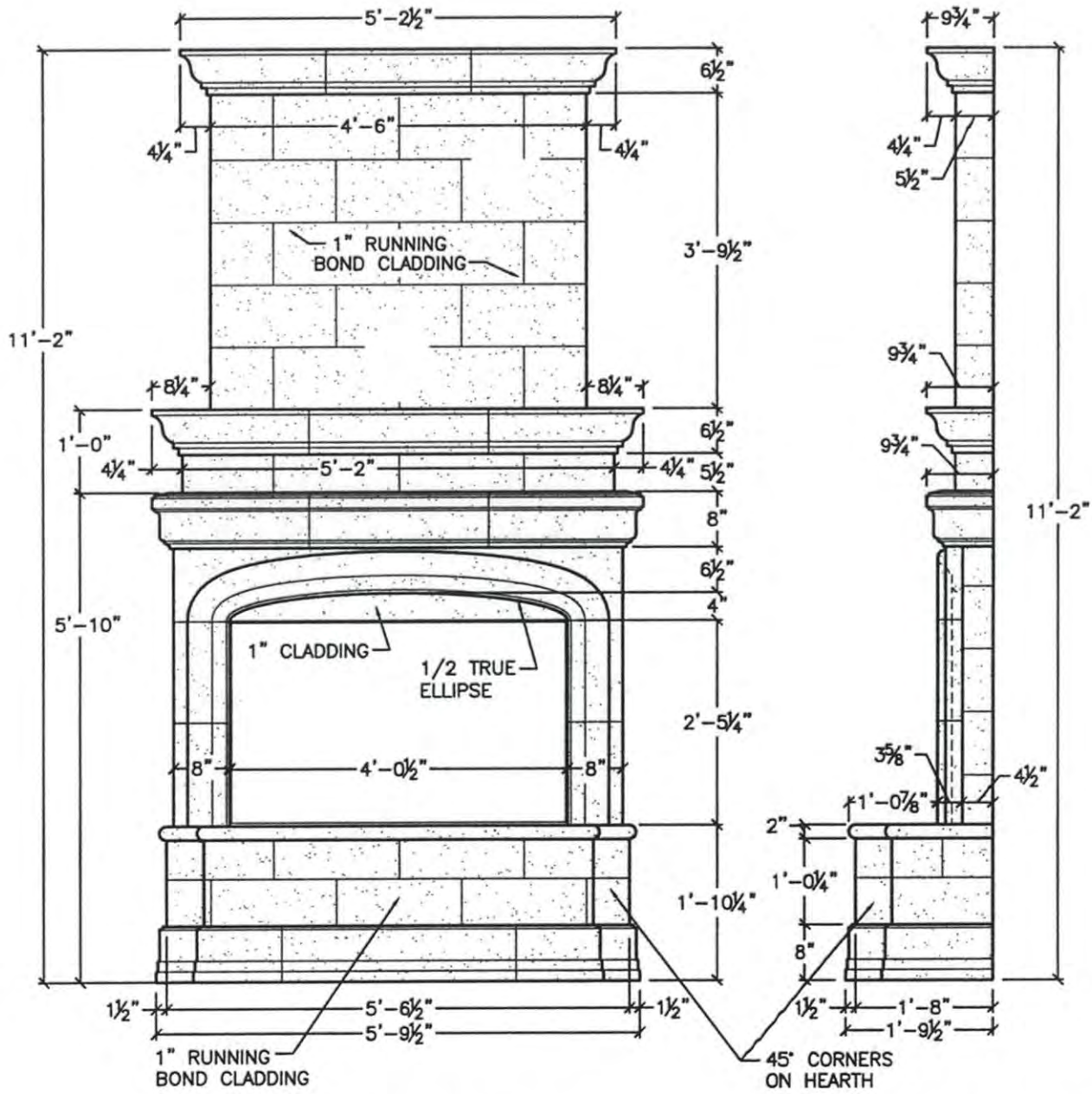


PROJECT: **FP125**
TITLE: **FIREPLACE DETAIL**

LOCATION: _____
QUANTITY: ---

BUILDER/ARCHITECT APPROVAL: _____
HOMEOWNER APPROVAL: _____
DATE: _____ SHEET: --

FINISH: KEYSTONE <input type="checkbox"/> SMOOTH <input type="checkbox"/> ACID-ETCH <input type="checkbox"/> OTHER <input type="checkbox"/>	TEXTURE: LIGHT <input type="checkbox"/> MEDIUM <input type="checkbox"/> HEAVY <input type="checkbox"/>	COLOR: <input type="checkbox"/> A <input type="checkbox"/> B <input type="checkbox"/> C <input type="checkbox"/> D <input type="checkbox"/> OTHER: _____	GARY <input type="checkbox"/> DENNIS <input type="checkbox"/> SHOP <input type="checkbox"/> CONTRACTOR <input type="checkbox"/> ARCHITECT <input type="checkbox"/> FOR PRODUCTION <input type="checkbox"/>	LOCATION: _____
		MARK: _____	QUANTITY: --	

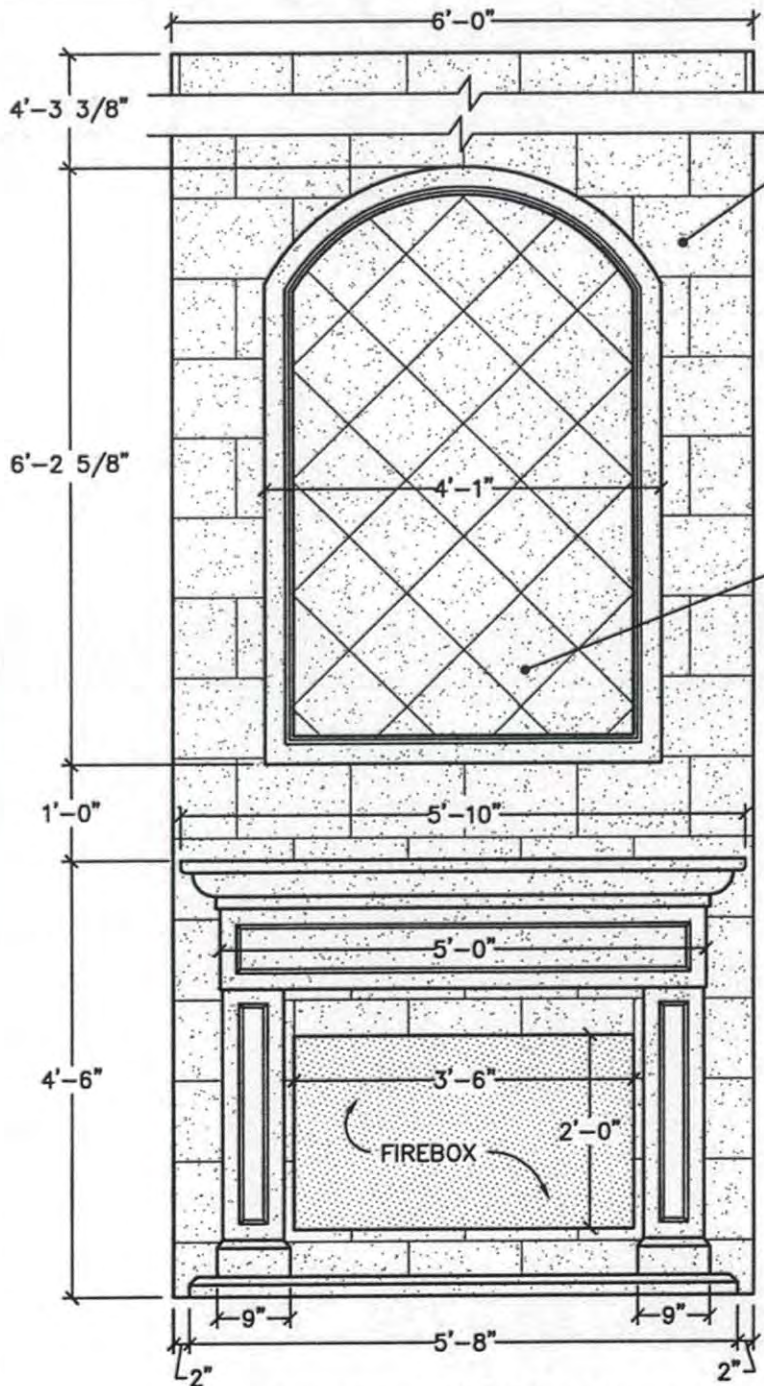


FRONT ELEVATION
 SCALE: 1/2"=1'-0"

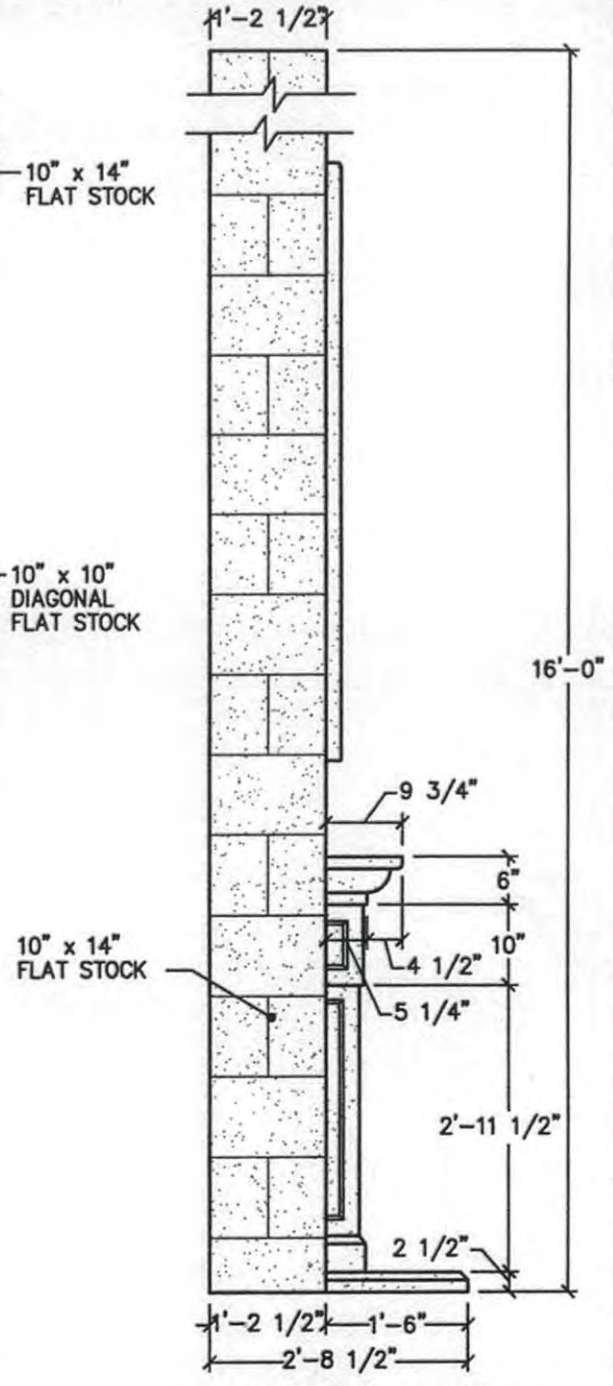
SIDE ELEVATION
 SCALE: 1/2"=1'-0"

	PROJECT: FP133	BUILDER/ARCHITECT APPROVAL: _____
	TITLE: _____	HOMEOWNER APPROVAL: _____
DATE: 2/1/01		SHEET: 1 OF 2

FINISH: KEYSTONE <input type="checkbox"/> SMOOTH <input type="checkbox"/> ACID-ETCH <input type="checkbox"/> OTHER <input type="checkbox"/>	TEXTURE: LIGHT <input type="checkbox"/> MEDIUM <input type="checkbox"/> HEAVY <input type="checkbox"/>	COLOR: A <input type="checkbox"/> B <input type="checkbox"/> C <input type="checkbox"/> D <input type="checkbox"/> OTHER: <input type="text"/>	LOCATION: --
		MARK: _____	QUANTITY: _____



FRONT ELEVATION
SCALE: 1"=1'-0"



SIDE ELEVATION
SCALE: 1"=1'-0"



FOR PRODUCTION <input type="checkbox"/>	
DRAWN BY: KMP	GARY <input type="checkbox"/> DENNIS <input type="checkbox"/> SHOP <input type="checkbox"/>
DATE:	CONTRACTOR <input type="checkbox"/> ARCHITECT <input type="checkbox"/>

FP107

TITLE: LIVING ROOM FIREPLACE DETAIL

FINISH:
 KEYSTONE
 SMOOTH
 ACID-ETCH
 OTHER

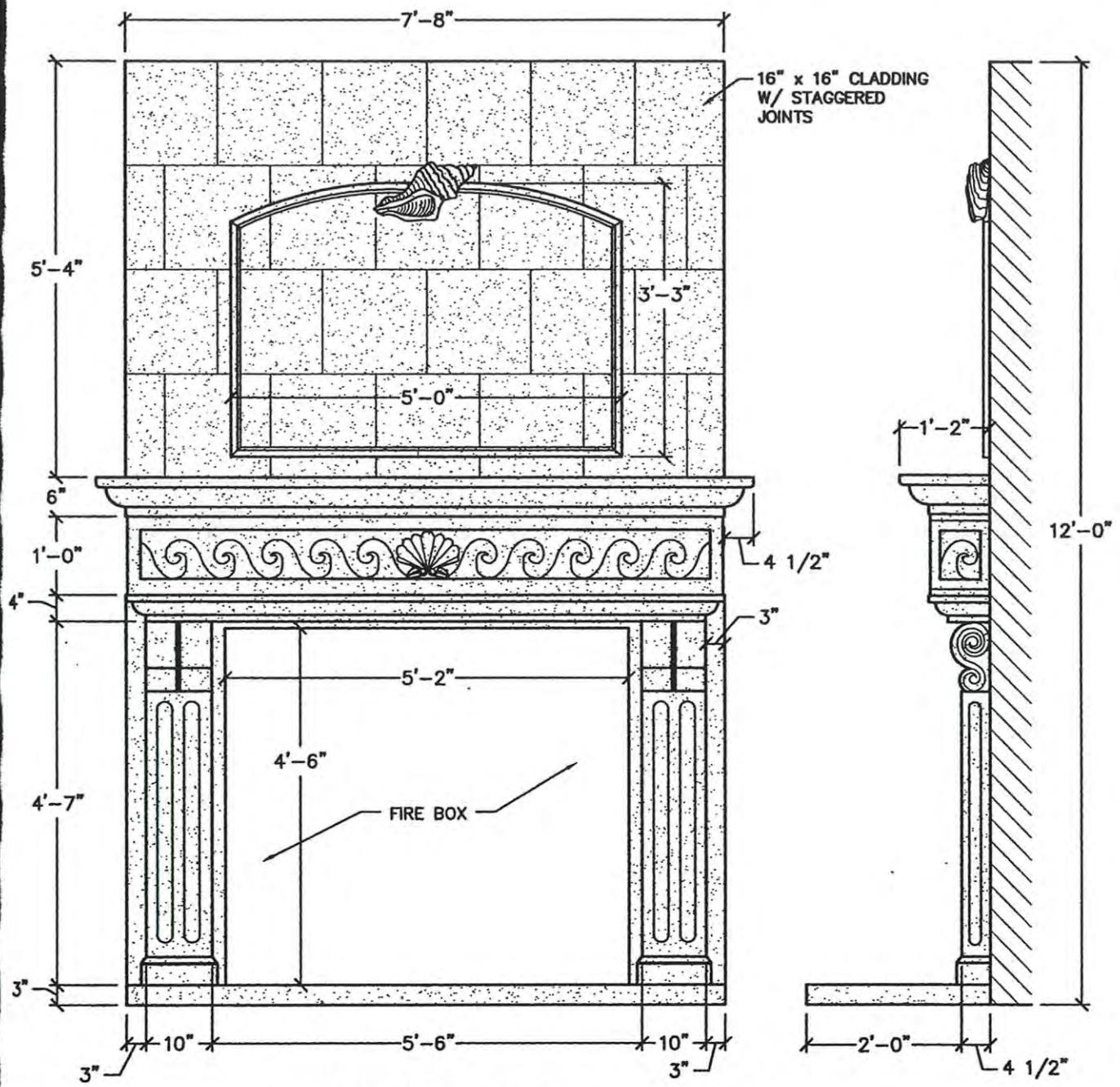
TEXTURE:
 LIGHT
 MEDIUM
 HEAVY

COLOR:
 A B C D
 OTHER:

LOCATION:

MARK: _____

QUANTITY: 1



FRONT ELEVATION

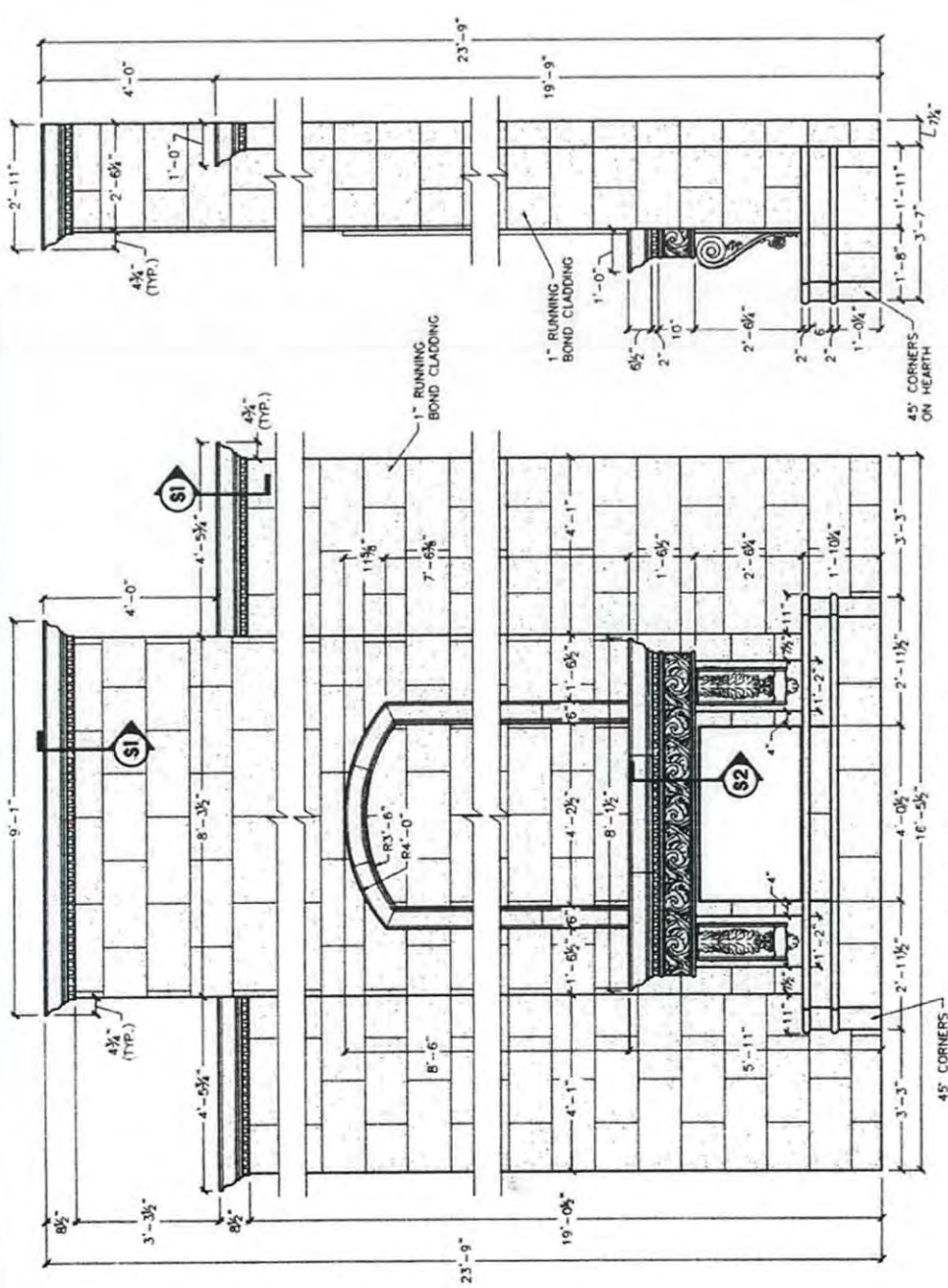
SIDE ELEVATION

SCALE: 1/4" = 1'-0"



FOR PRODUCTION
DRAWN BY: GARY
 KMP DENNIS
DATE: SHOP
 CONTRACTOR
 ARCHITECT

TITLE: FIREPLACE DETAIL



FRONT ELEVATION
SCALE: 3/8" = 1'-0"

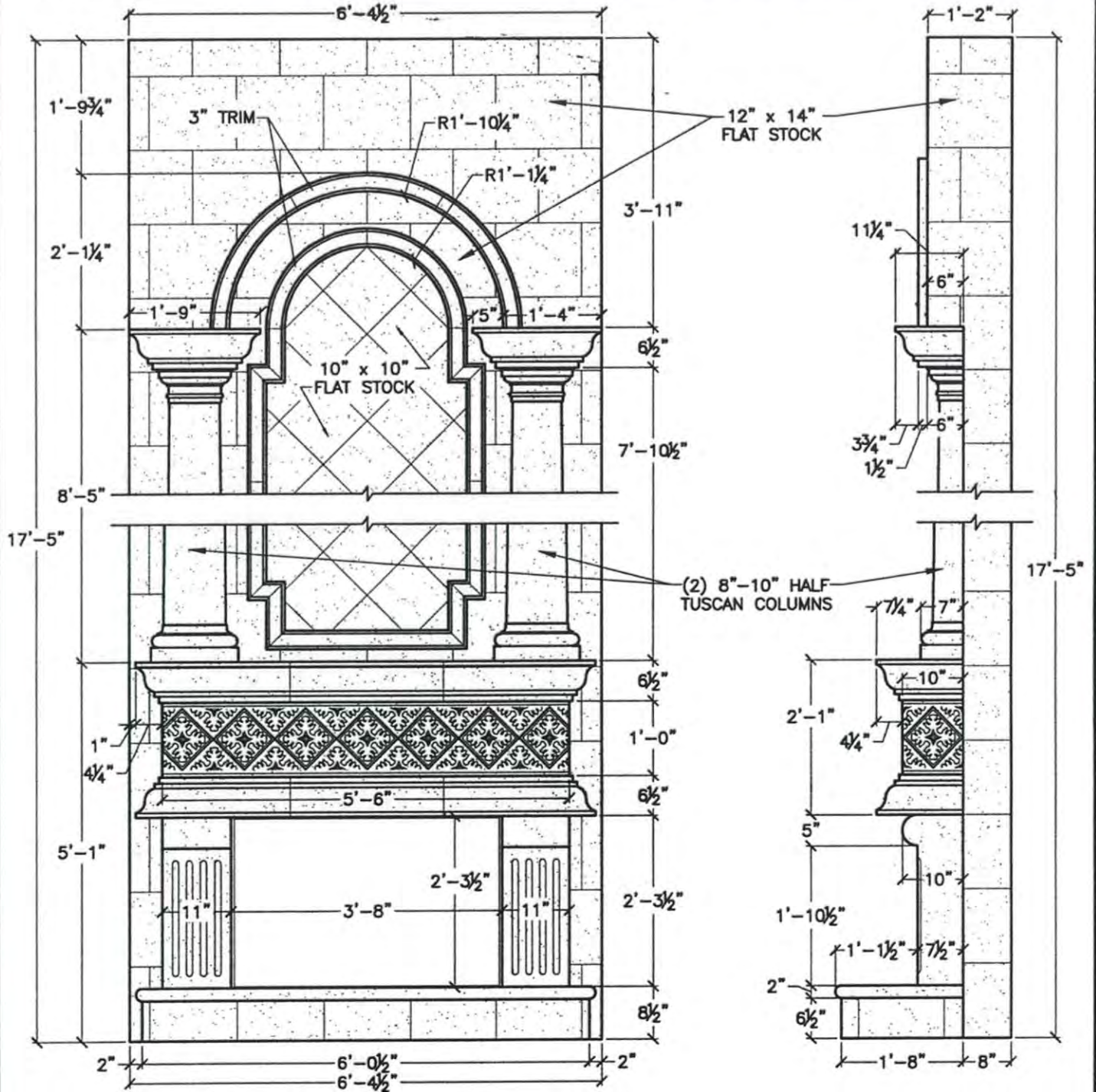
SIDE ELEVATION
SCALE: 3/8" = 1'-0"

S1 SECTION
SCALE: 1/8" = 1'-0"

S2 SECTION
SCALE: 1/8" = 1'-0"

	GARY DENNIS SHOP CONTRACTOR ARCHITECT FOR PRODUCTION	FINISH: KEYSTONE <input type="checkbox"/> SMOOTH <input type="checkbox"/> ACID-ETCH <input type="checkbox"/> OTHER <input type="checkbox"/>	TEXTURE: LIGHT <input type="checkbox"/> MEDIUM <input type="checkbox"/> HEAVY <input type="checkbox"/>	COLOR: A B C D OTHER:	PROJECT: FP127 TITLE: FIREPLACE DETAILS AT "GRAND LIVING ROOM"	LOCATION:	BUILDER/ARCHITECT APPROVAL:
	MARK:	QUANTITY:	HOMEOWNER APPROVAL:	DATE: 2/22/01	SHEET: 1 OF 1		

FIN'SH: KEYSTONE <input type="checkbox"/> SMOOTH <input type="checkbox"/> ACID-ETCH <input type="checkbox"/> OTHER <input type="checkbox"/>	TEXTURE: LIGHT <input type="checkbox"/> MEDIUM <input type="checkbox"/> HEAVY <input type="checkbox"/>	COLOR: <table border="1"> <tr> <td>A</td> <td>B</td> <td>C</td> <td>D</td> </tr> </table> OTHER: <input type="text"/> MARK: <input type="text"/>	A	B	C	D	GARY <input type="checkbox"/> DENNIS <input type="checkbox"/> SHOP <input type="checkbox"/> CONTRACTOR <input type="checkbox"/> ARCHITECT <input type="checkbox"/> FOR PRODUCTION <input type="checkbox"/>	LOCATION: _____ QUANTITY: _____
A	B	C	D					



FRONT ELEVATION

SCALE: 1/2"=1'-0"

SIDE ELEVATION

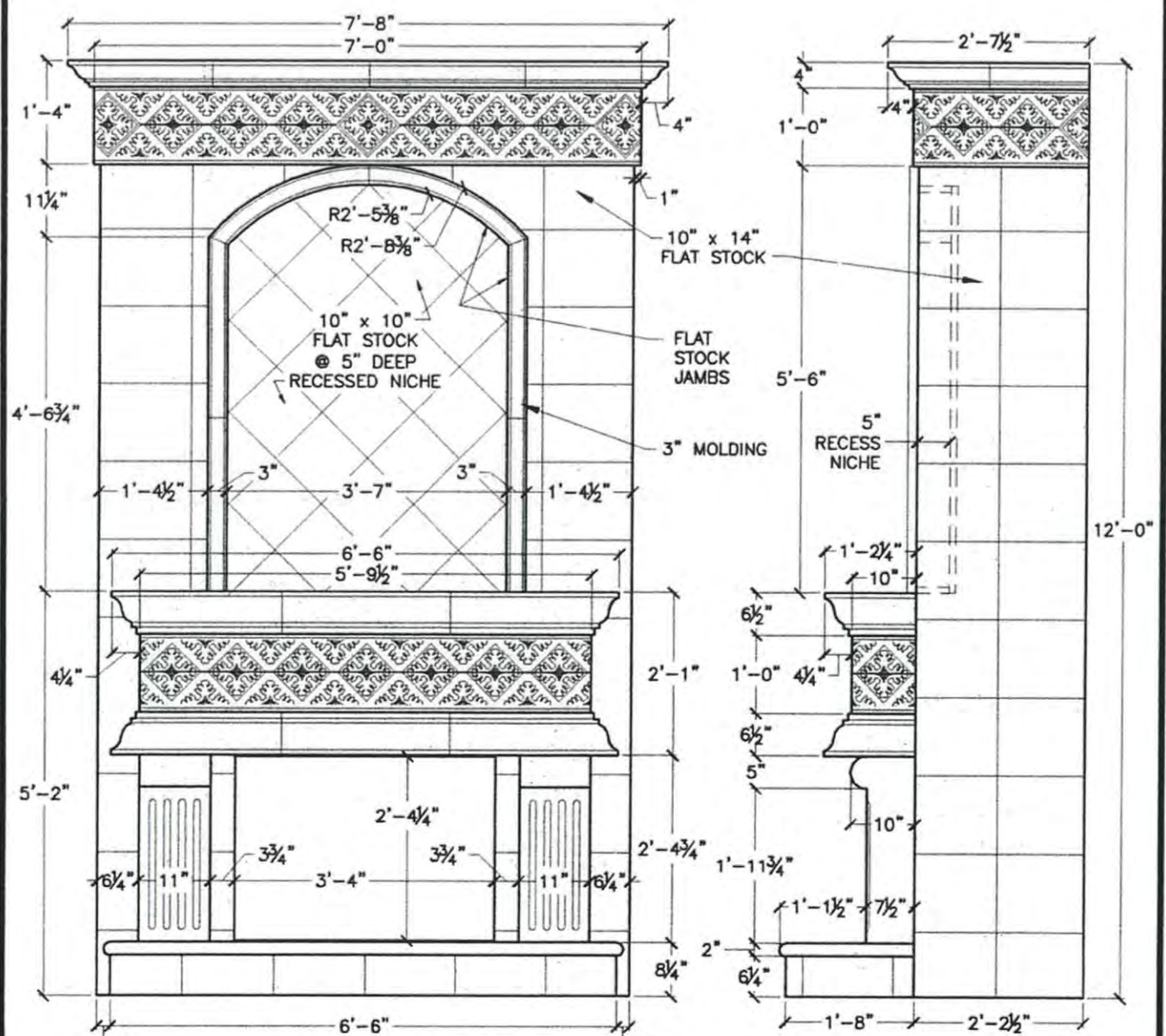
SCALE: 1/2"=1'-0"



PROJECT:	FP128
TITLE:	FIREPLACE DETAIL

BUILDER/ARCHITECT APPROVAL:	
HOMEOWNER APPROVAL:	
DATE:	SHEET: 1 OF 1

FINISH: KEYSTONE <input type="checkbox"/> SMOOTH <input type="checkbox"/> ACID-ETCH <input type="checkbox"/> OTHER <input type="checkbox"/>	TEXTURE: LIGHT <input type="checkbox"/> MEDIUM <input type="checkbox"/> HEAVY <input type="checkbox"/>	COLOR: <input type="checkbox"/> A <input type="checkbox"/> B <input type="checkbox"/> C <input type="checkbox"/> D OTHER: <input type="text"/>	GARY <input type="checkbox"/> DENNIS <input type="checkbox"/> SHOP <input type="checkbox"/> CONTRACTOR <input type="checkbox"/> ARCHITECT <input type="checkbox"/> FOR PRODUCTION <input type="checkbox"/>	LOCATION:
		MARK: _____	QUANTITY: ---	



FRONT ELEVATION
SCALE: 1/2" = 1'-0"

SIDE ELEVATION
SCALE: 1/2" = 1'-0"



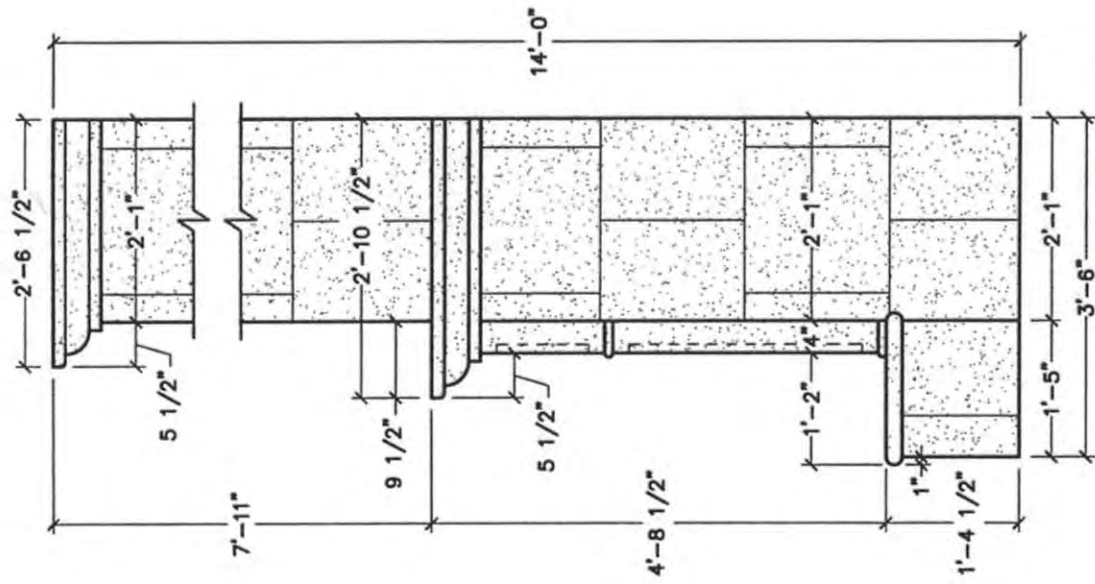
PROJECT: **FP129**

TITLE: **FIREPLACE DETAIL**

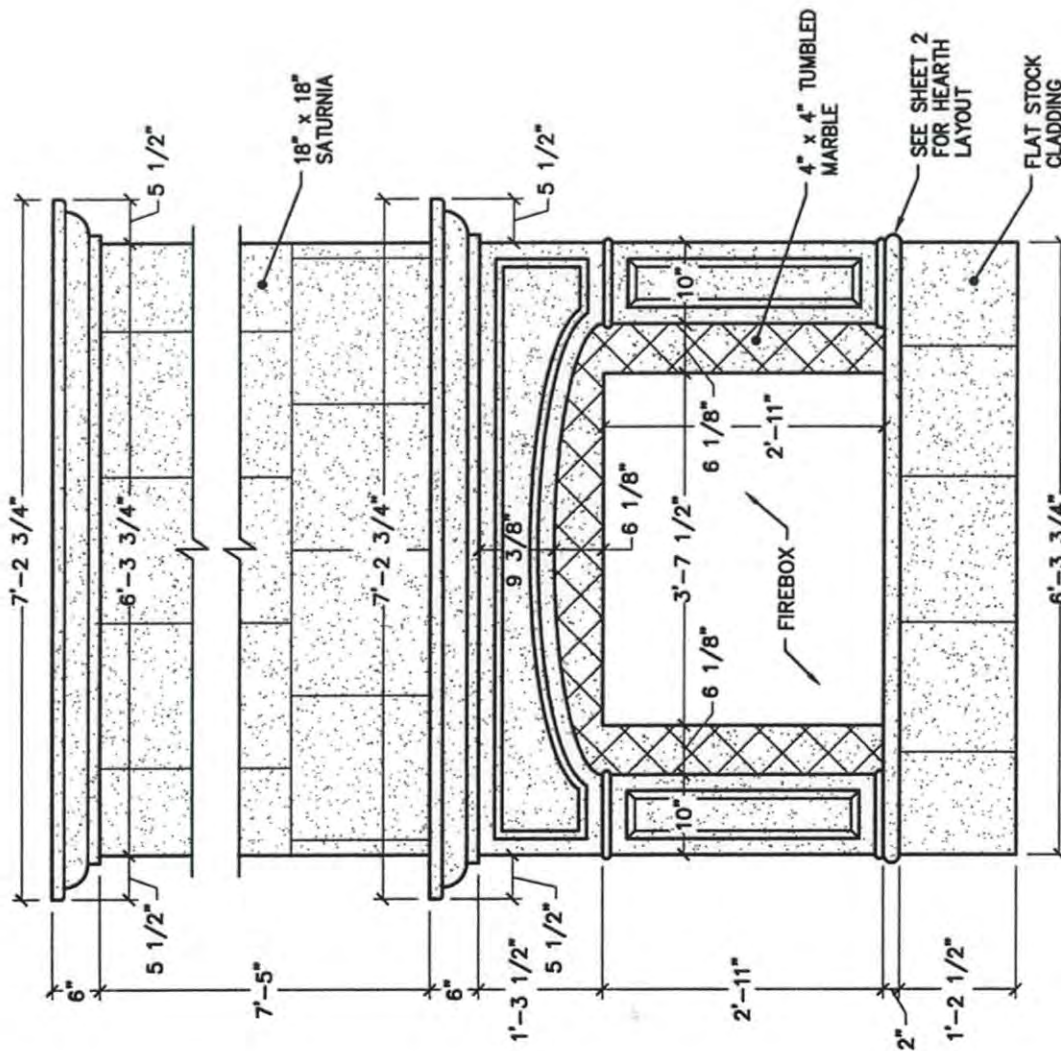
BUILDER/ARCHITECT APPROVAL: _____

HOMEOWNER APPROVAL: _____

DATE: _____ SHEET: **1 OF 1**

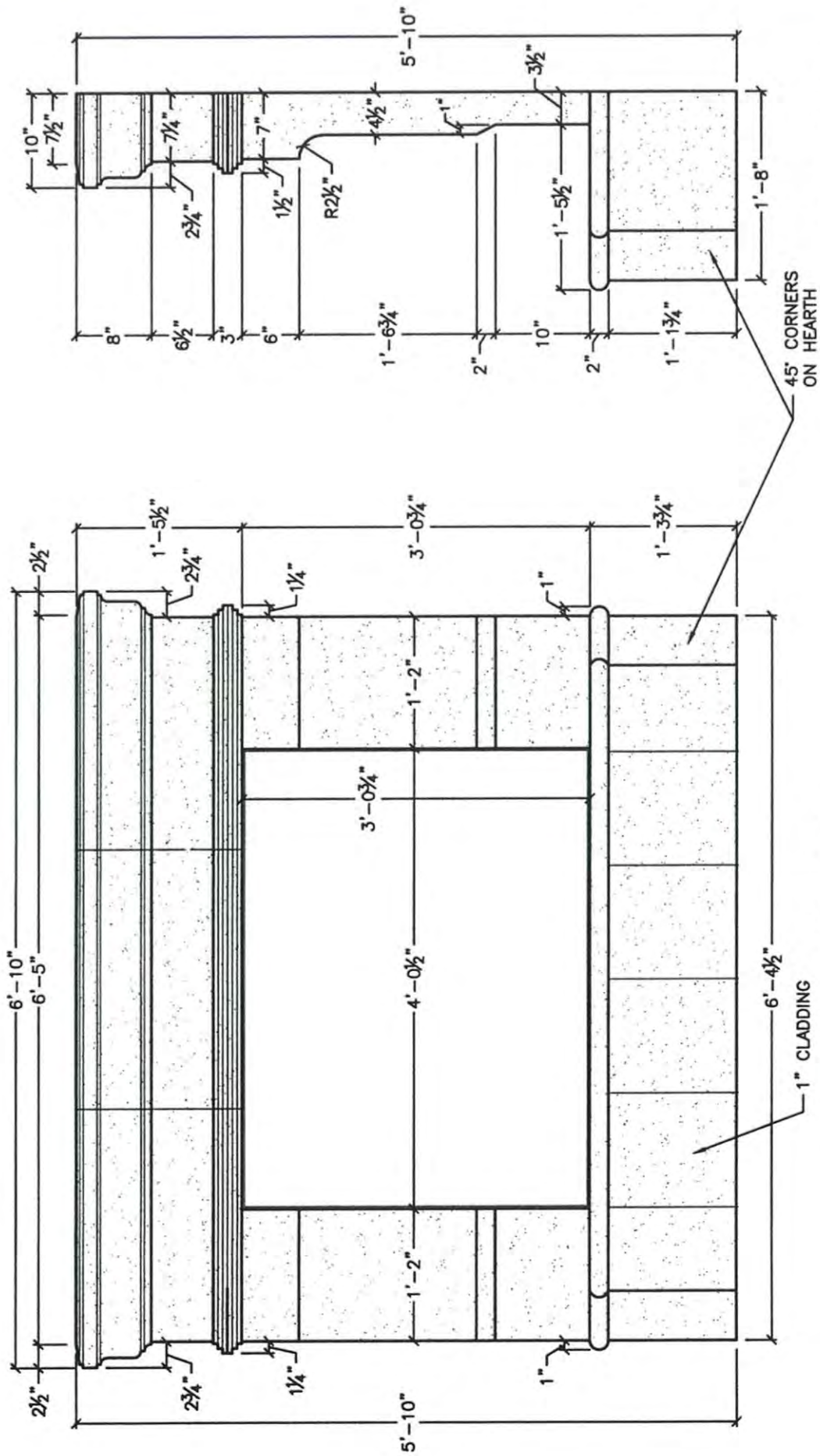


SIDE ELEVATION
SCALE: 1/2"=1'-0"



FRONT ELEVATION
SCALE: 1/2"=1'-0"

STONECRAFTERS ARCHITECTURAL PRECAST STONE	PROJECT: FP104	LOCATION:	BUILDER/ARCHITECT APPROVAL:
	TITLE: FIREPLACE DETAIL	QUANTITY: ---	HOMEOWNER APPROVAL:
		DATE:	SHEET: 1 OF 2



FRONT ELEVATION

SCALE: 3/8"=1'-0"

SIDE ELEVATION

SCALE: 3/8"=1'-0"

STONECRAFTERS
ARCHITECTURAL PRECAST STONE

PROJECT:

FP131

TITLE:

FIREPLACE DETAIL

LOCATION:

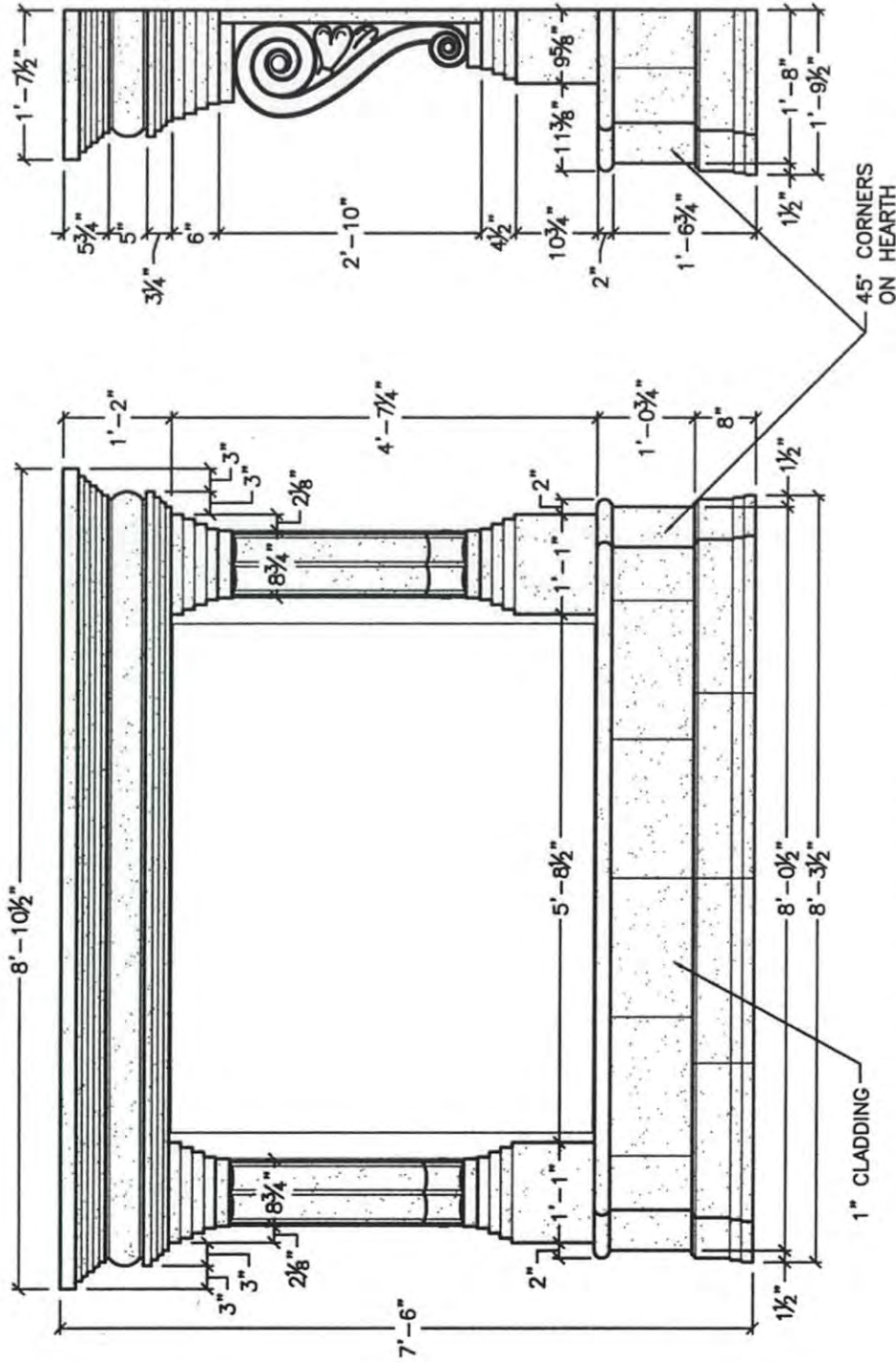
BUILDER/ARCHITECT APPROVAL:

HOMEOWNER APPROVAL:

DATE:

QUANTITY: ---

SHEET: 1 OF 2



FRONT ELEVATION
SCALE: 3/4" = 1'-0"

SIDE ELEVATION
SCALE: 3/4" = 1'-0"

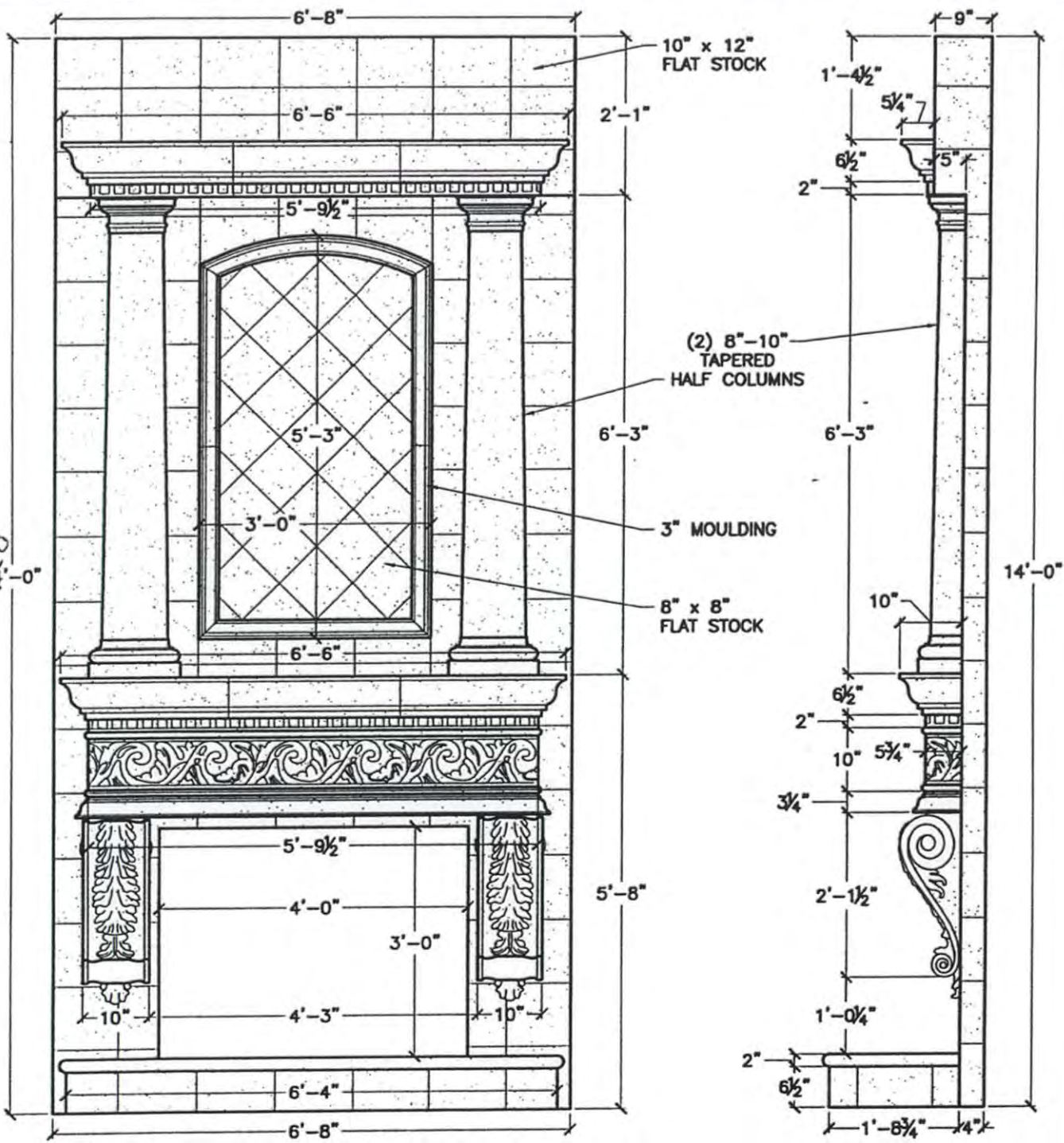


PROJECT: FP132 --
TITLE: FIREPLACE DETAIL

LOCATION: _____
QUANTITY: --

BUILDER/ARCHITECT APPROVAL: _____
HOMEOWNER APPROVAL: _____
DATE: 2/1/01 SHEET: 1 OF 2

FINISH: KEYSTONE <input type="checkbox"/> SMOOTH <input type="checkbox"/> ACID-ETCH <input type="checkbox"/> OTHER <input type="checkbox"/>	TEXTURE: LIGHT <input type="checkbox"/> MEDIUM <input type="checkbox"/> HEAVY <input type="checkbox"/>	COLOR: <input type="checkbox"/> A <input type="checkbox"/> B <input type="checkbox"/> C <input type="checkbox"/> D OTHER: <input type="text"/>	GARY <input type="checkbox"/> DENNIS <input type="checkbox"/> SHOP <input type="checkbox"/> CONTRACTOR <input type="checkbox"/> ARCHITECT <input type="checkbox"/> FOR PRODUCTION <input type="checkbox"/>	LOCATION: _____
		MARK: _____	QUANTITY: _____	



FRONT ELEVATION
SCALE: 1/2"=1'-0"

SIDE ELEVATION
SCALE: 1/2"=1'-0"



PROJECT: **FP134**

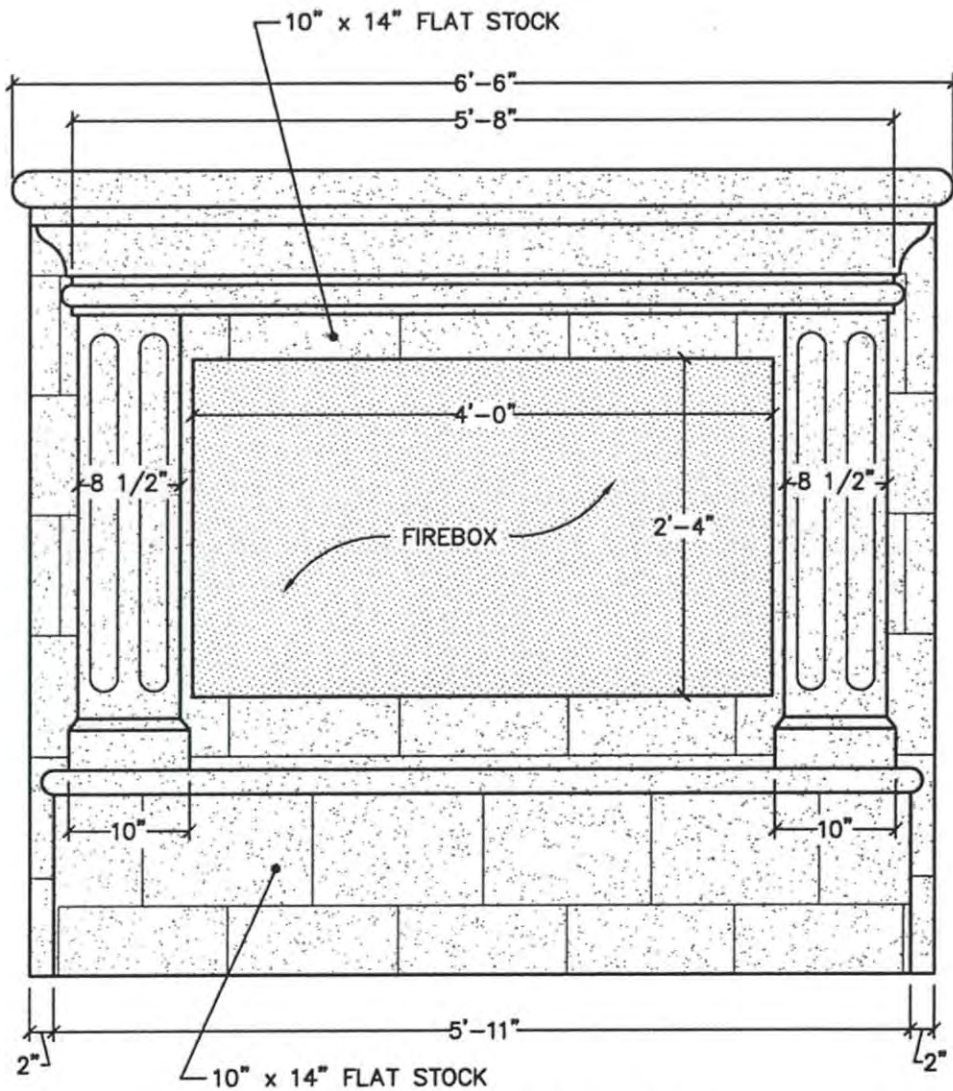
TITLE: **FIREPLACE DETAIL**

BUILDER/ARCHITECT APPROVAL: _____

HOMEOWNER APPROVAL: _____

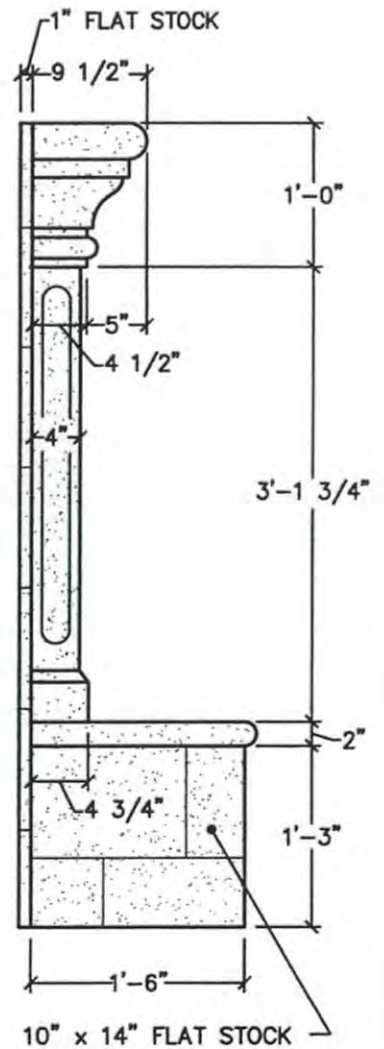
DATE: 11/2/01 | SHEET: 1 of 1

FINISH: KEYSTONE <input type="checkbox"/> SMOOTH <input type="checkbox"/> ACID-ETCH <input type="checkbox"/> OTHER <input type="checkbox"/>	TEXTURE: LIGHT <input type="checkbox"/> MEDIUM <input type="checkbox"/> HEAVY <input type="checkbox"/>	COLOR: <table border="1"> <tr> <td>A</td> <td>B</td> <td>C</td> <td>D</td> </tr> <tr> <td> </td> <td> </td> <td> </td> <td> </td> </tr> </table> OTHER: <input type="text"/>	A	B	C	D					LOCATION: ---
		A	B	C	D						
MARK: _____		QUANTITY: _____									



FRONT ELEVATION

SCALE: 0"=1'-0"



SIDE ELEVATION

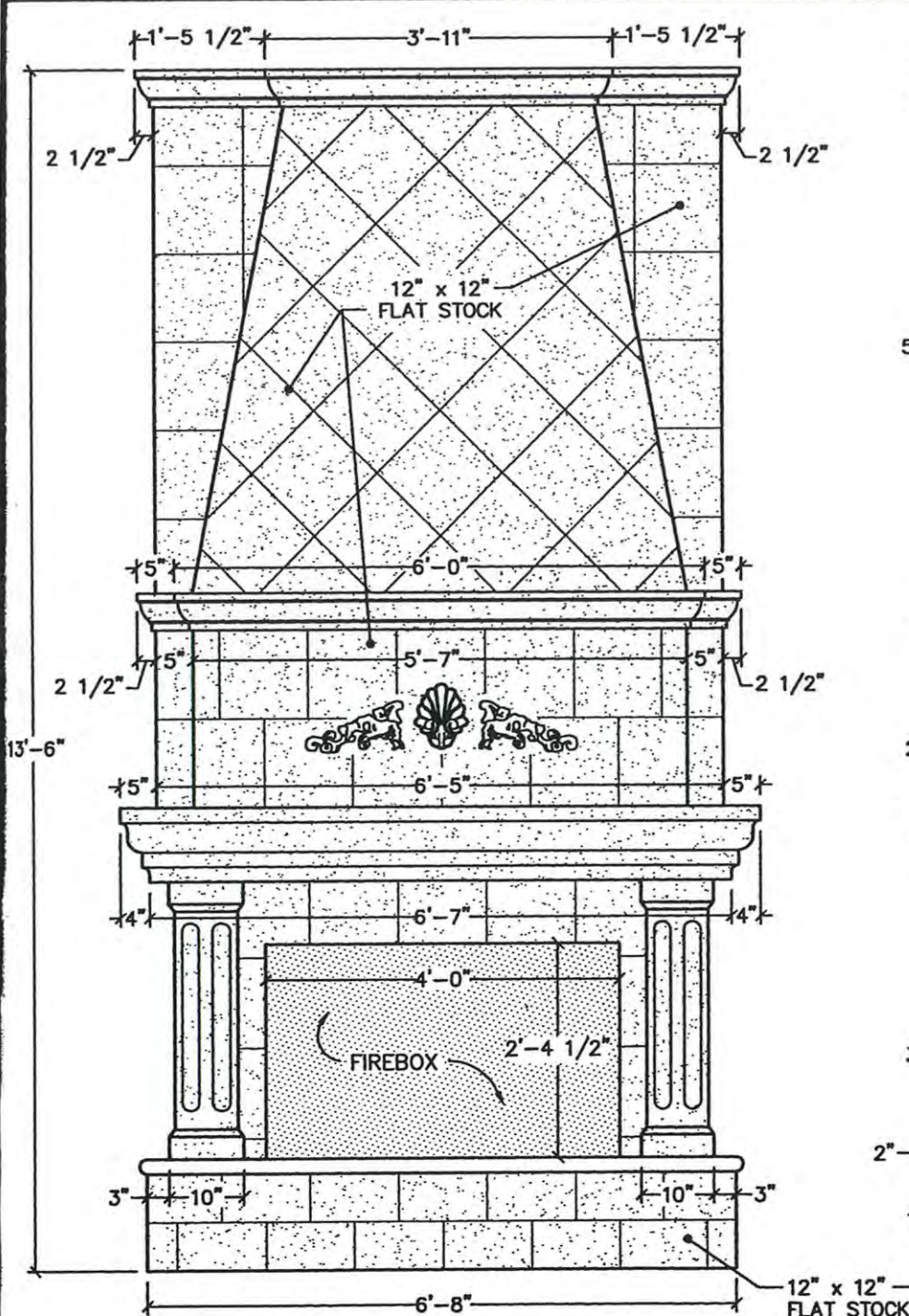
SCALE: 0"=1'-0"



FOR PRODUCTION <input type="checkbox"/>	
DRAWN BY: KMP	GARY <input type="checkbox"/> DENNIS <input type="checkbox"/> SHOP <input type="checkbox"/>
DATE:	CONTRACTOR <input type="checkbox"/> ARCHITECT <input type="checkbox"/>

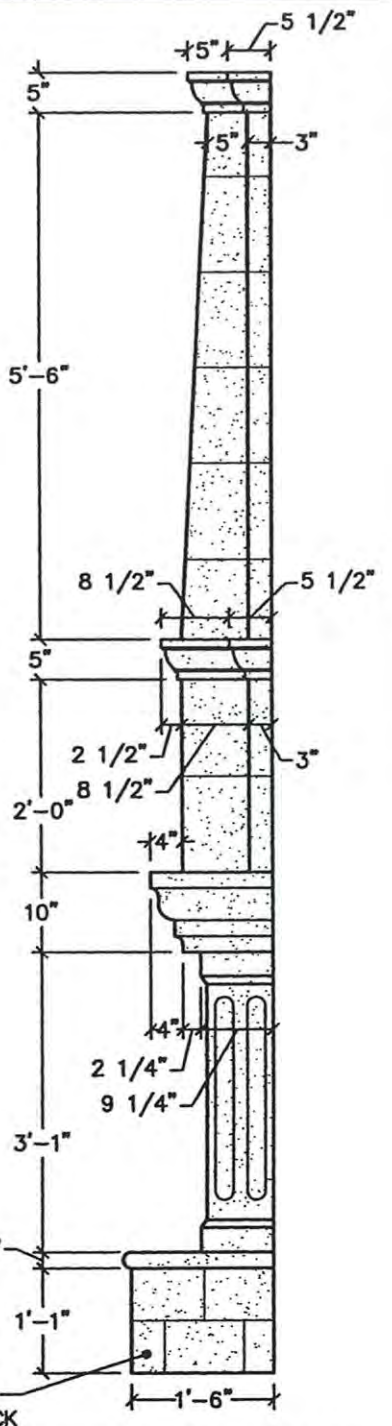
FP141
TITLE: FIREPLACE DETAIL

FINISH: KEYSTONE <input type="checkbox"/> SMOOTH <input type="checkbox"/> ACID-ETCH <input type="checkbox"/> OTHER <input type="checkbox"/>	TEXTURE: LIGHT <input type="checkbox"/> MEDIUM <input type="checkbox"/> HEAVY <input type="checkbox"/>	COLOR: <input type="checkbox"/> A <input type="checkbox"/> B <input type="checkbox"/> C <input type="checkbox"/> D	GARY <input type="checkbox"/> DENNIS <input type="checkbox"/> SHOP <input type="checkbox"/> CONTRACTOR <input type="checkbox"/> ARCHITECT <input type="checkbox"/> FOR PRODUCTION <input type="checkbox"/>	LOCATION: _____
		OTHER: <input type="text"/>		QUANTITY: _____
MARK: _____				



FRONT ELEVATION

SCALE: 1/2"=1'-0"



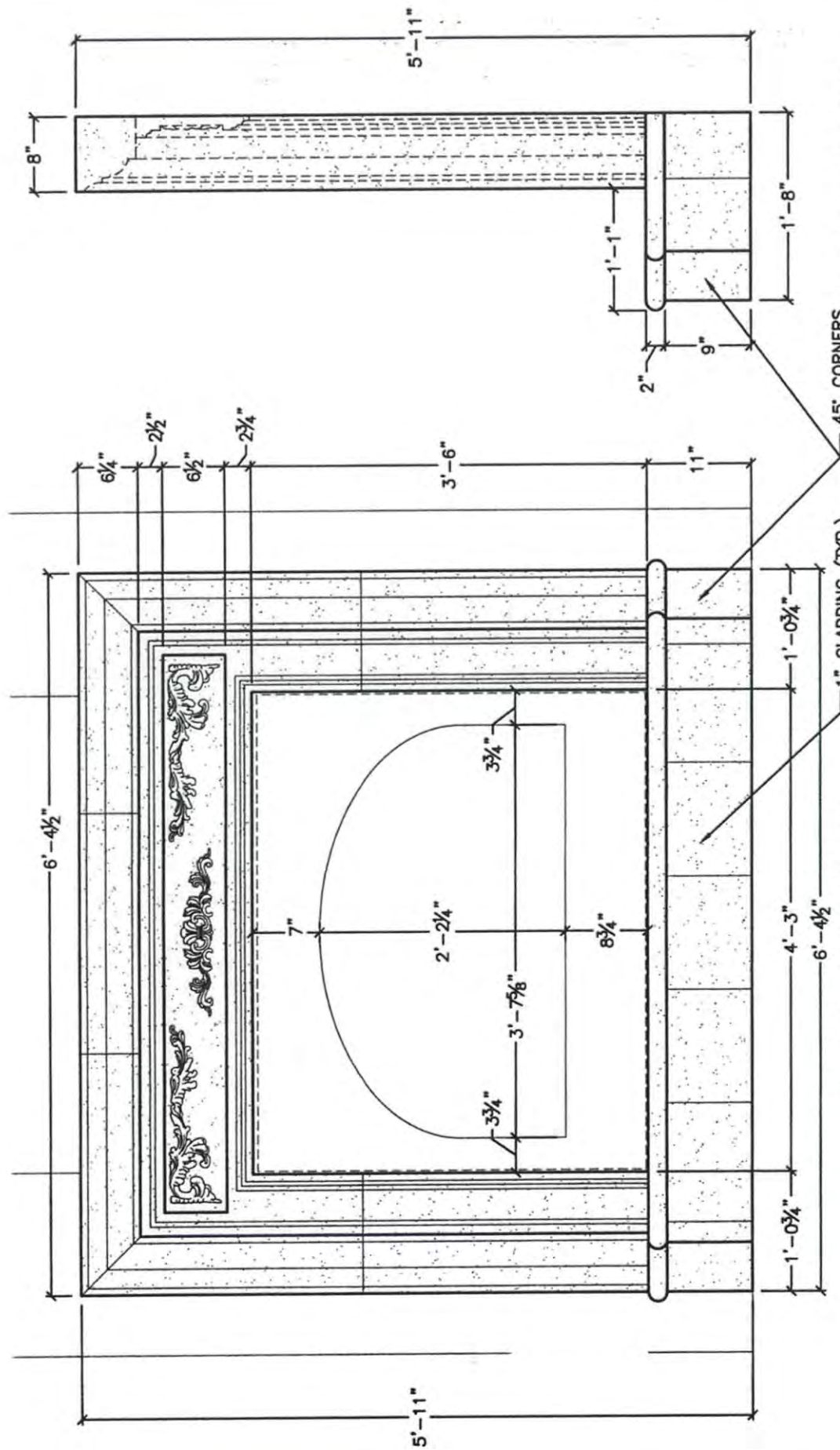
SIDE ELEVATION

SCALE: 1/2"=1'-0"



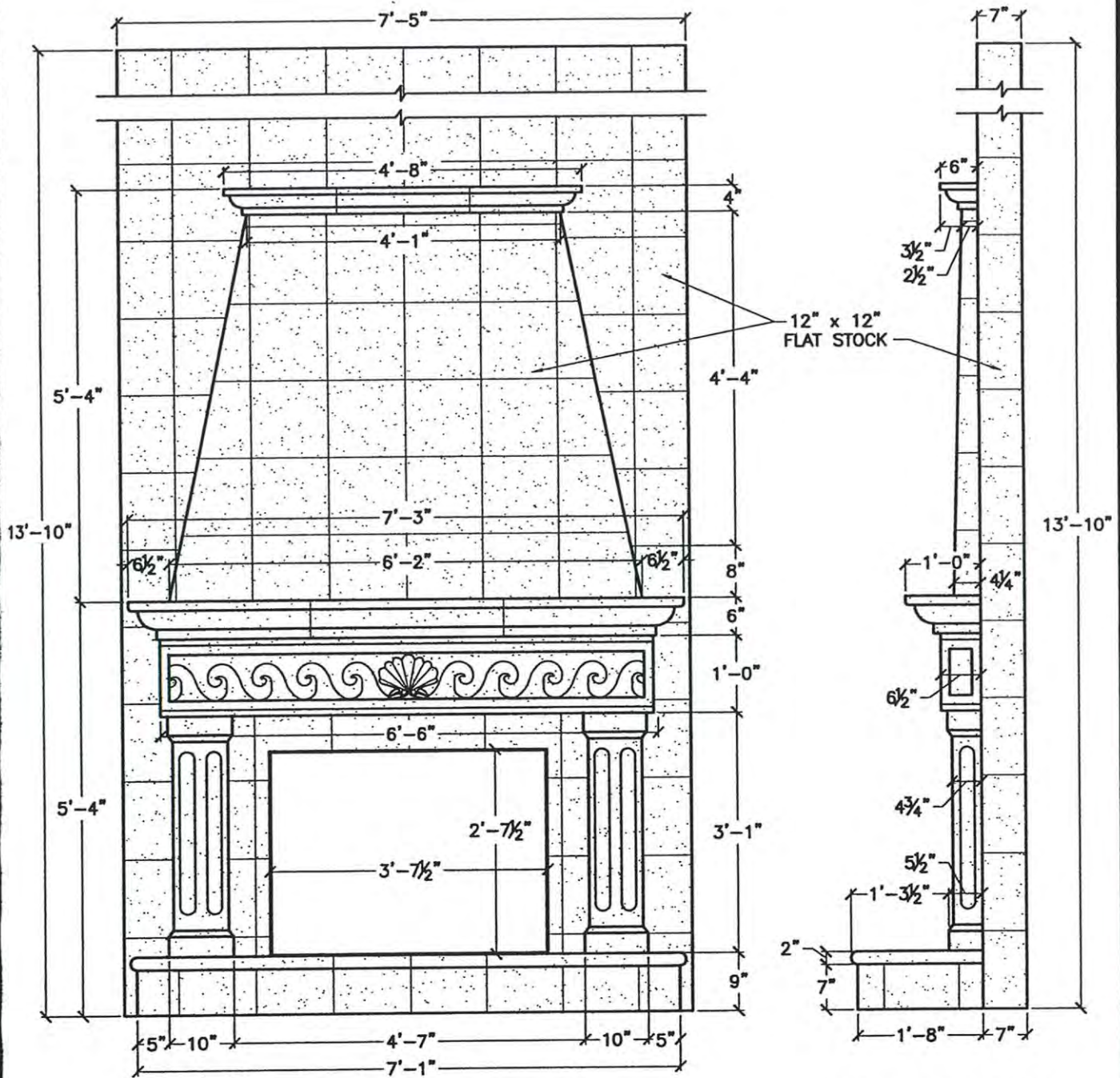
PROJECT: _____
TITLE: **FIREPLACE DETAIL**

BUILDER/ARCHITECT APPROVAL: _____
HOMEOWNER APPROVAL: _____
DATE: _____ **SHEET:** 1 OF 1



STONECRAFTERS ARCHITECTURAL PRECAST STONE	PROJECT: FP136--	LOCATION:	BUILDER/ARCHITECT APPROVAL:
	TITLE: FIREPLACE DETAIL	QUANTITY: ---	HOMEOWNER APPROVAL:
	DATE:	SHEET: 1 OF 2	

FINISH: KEYSTONE <input type="checkbox"/> SMOOTH <input type="checkbox"/> ACID-ETCH <input type="checkbox"/> OTHER <input type="checkbox"/>	TEXTURE: LIGHT <input type="checkbox"/> MEDIUM <input type="checkbox"/> HEAVY <input type="checkbox"/>	COLOR: <input type="checkbox"/> A <input type="checkbox"/> B <input type="checkbox"/> C <input type="checkbox"/> D OTHER: <input type="text"/>	GARY <input type="checkbox"/> DENNIS <input type="checkbox"/> SHOP <input type="checkbox"/> CONTRACTOR <input type="checkbox"/> ARCHITECT <input type="checkbox"/> FOR PRODUCTION <input type="checkbox"/>	LOCATION: <input type="text"/>
		MARK: <input type="text"/>	QUANTITY: <input type="text"/>	



FRONT ELEVATION

SCALE: 1/2"=1'-0"

SIDE ELEVATION

SCALE: 1/2"=1'-0"



PROJECT:

TITLE:

**FIREPLACE
DETAIL**

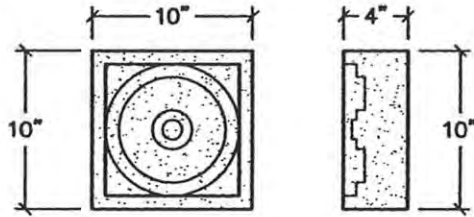
BUILDER/ARCHITECT APPROVAL:

HOMEOWNER APPROVAL:

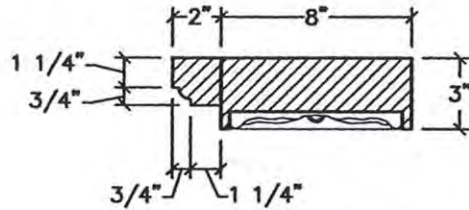
DATE:

SHEET: 1 OF 1

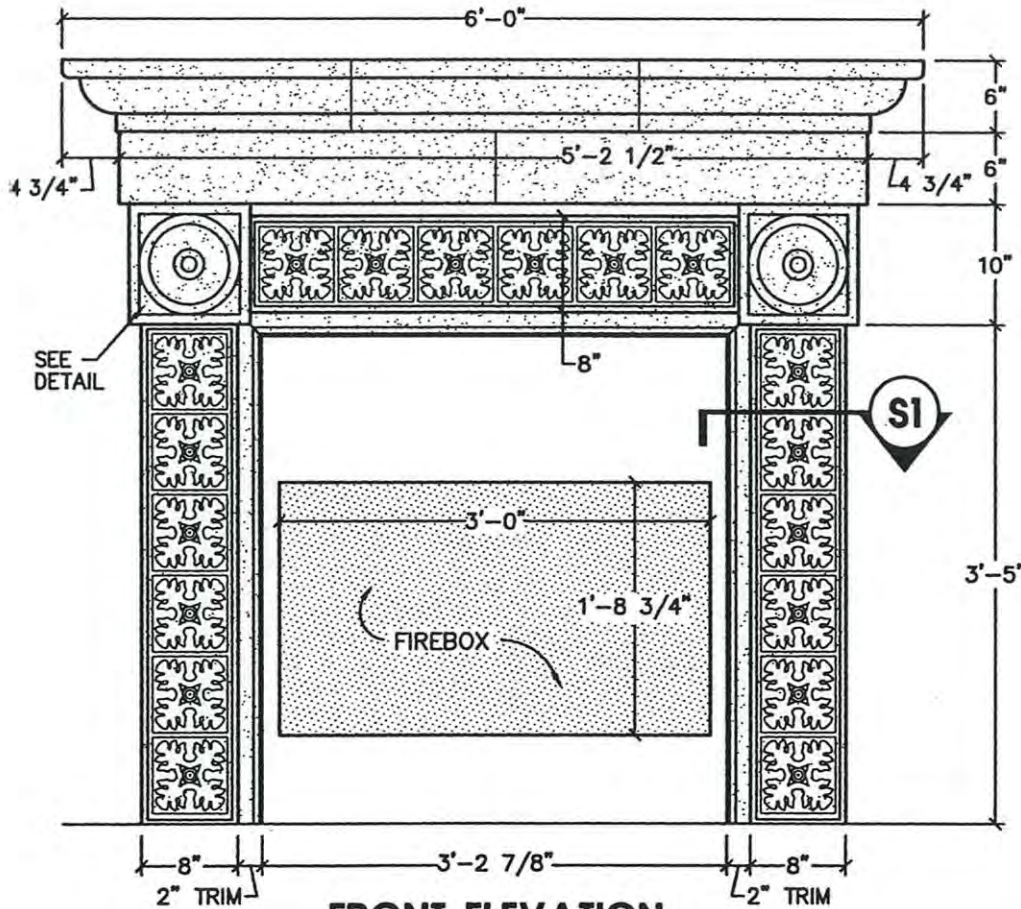
FINISH: KEYSTONE <input type="checkbox"/> SMOOTH <input type="checkbox"/> ACID-ETCH <input type="checkbox"/> OTHER <input type="checkbox"/>	TEXTURE: LIGHT <input type="checkbox"/> MEDIUM <input type="checkbox"/> HEAVY <input type="checkbox"/>	COLOR: <input type="checkbox"/> A <input type="checkbox"/> B <input type="checkbox"/> C <input type="checkbox"/> D OTHER: <input type="text"/>	GARY <input type="checkbox"/> DENNIS <input type="checkbox"/> SHOP <input type="checkbox"/> CONTRACTOR <input type="checkbox"/> ARCHITECT <input type="checkbox"/> FOR PRODUCTION <input type="checkbox"/>	LOCATION: <input type="text"/>
		MARK: <input type="text"/>	QUANTITY: <input type="text"/>	



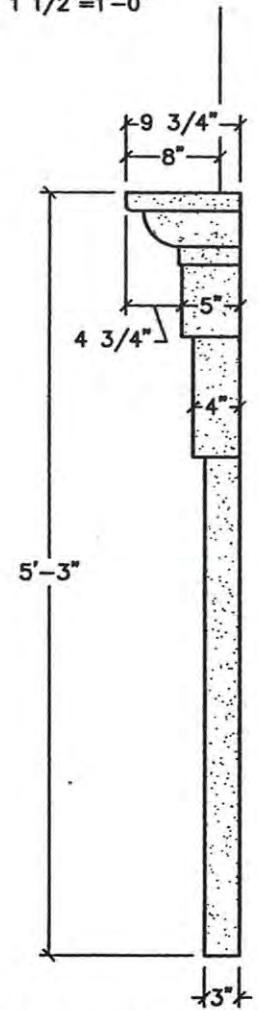
DETAIL
SCALE: 1"=1'-0"



SI SECTION
SCALE: 1 1/2"=1'-0"



FRONT ELEVATION
SCALE: 3/4"=1'-0"



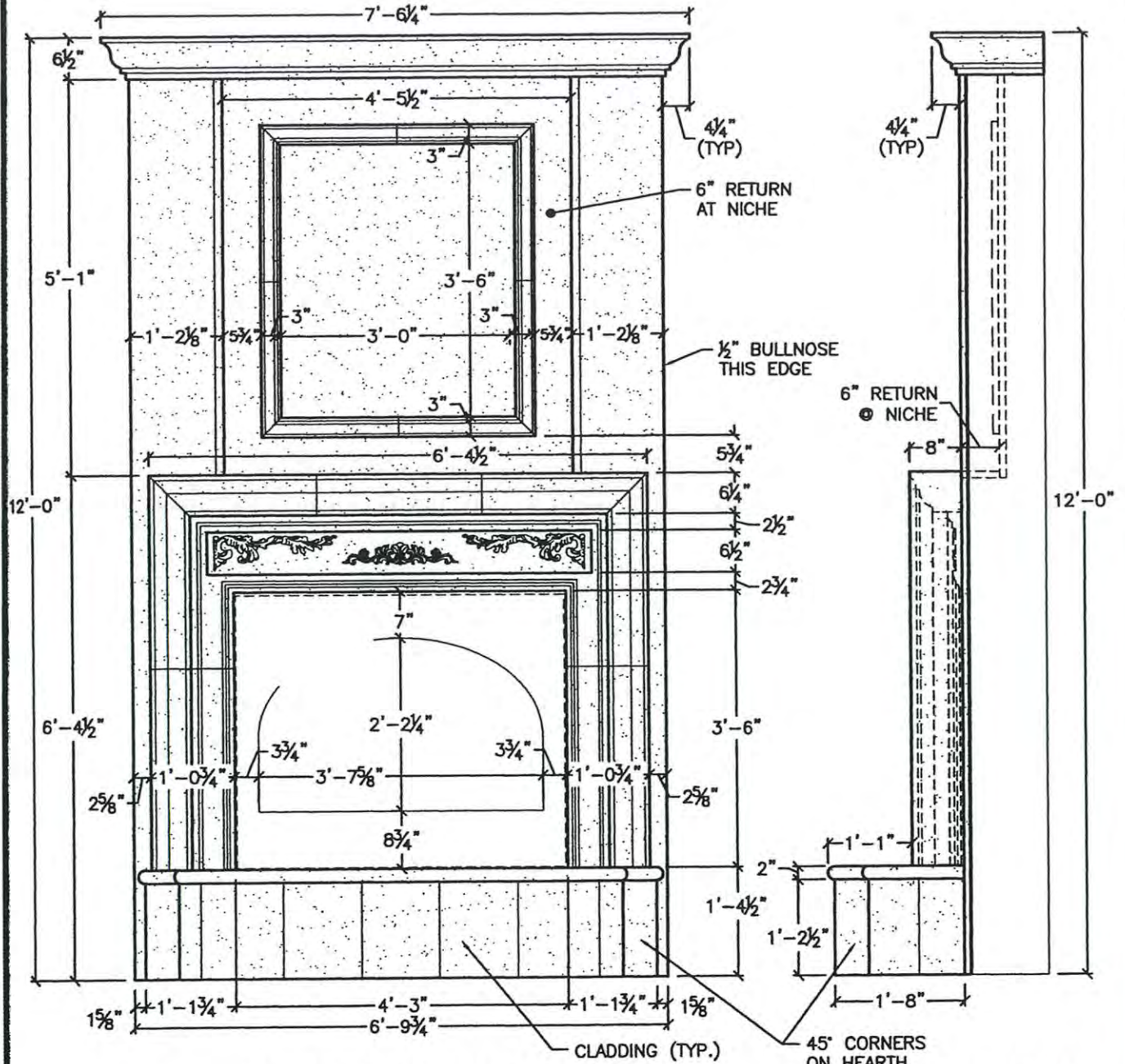
SIDE ELEVATION
SCALE: 3/4"=1'-0"



PROJECT: RESIDENCE
 TITLE: FIREPLACE DETAIL

BUILDER/ARCHITECT APPROVAL: _____
 HOMEOWNER APPROVAL: _____
 DATE: _____ SHEET: 1 OF 1

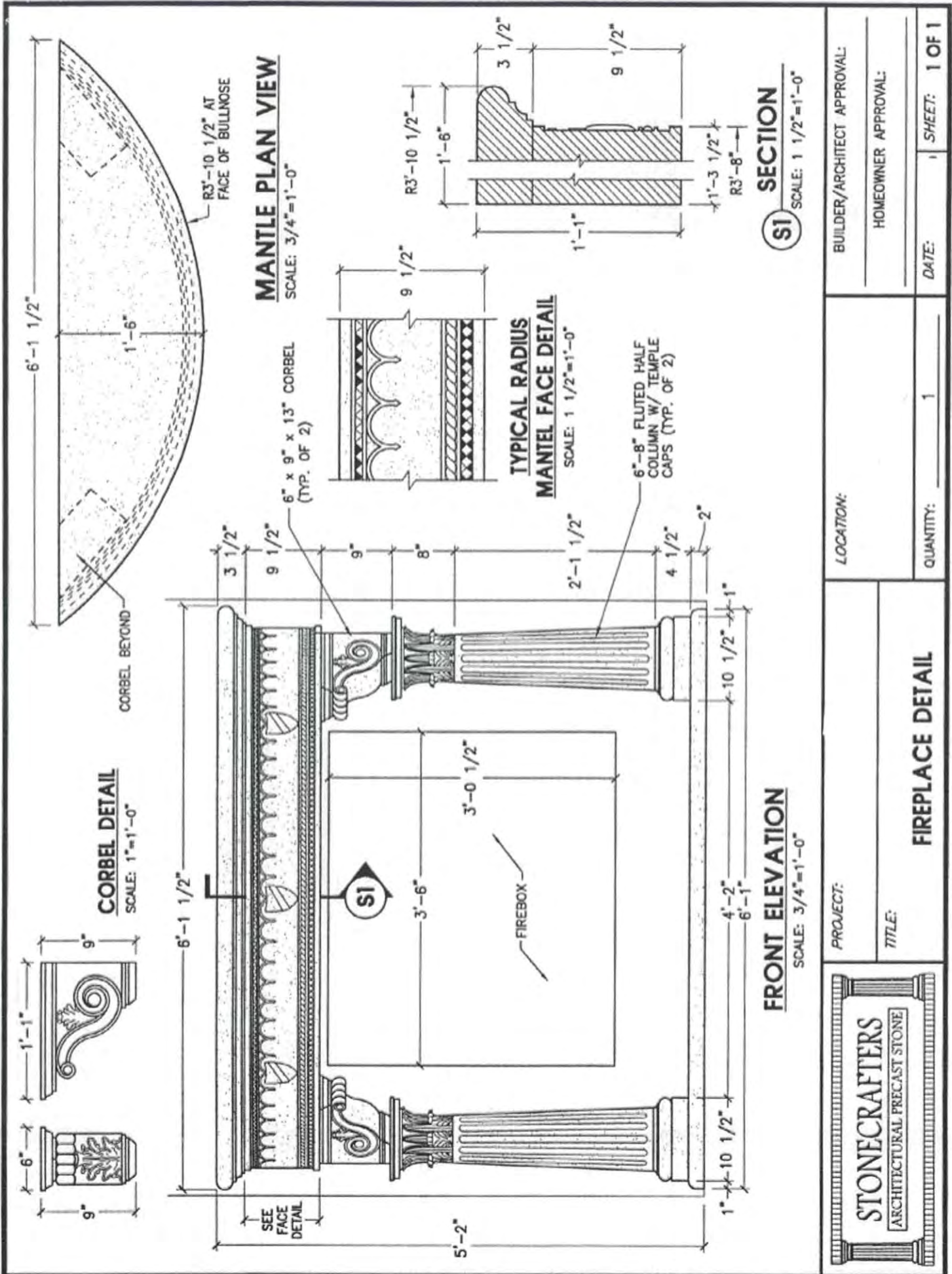
FINISH: KEYSTONE <input type="checkbox"/> SMOOTH <input type="checkbox"/> ACID-ETCH <input type="checkbox"/> OTHER <input type="checkbox"/>	TEXTURE: LIGHT <input type="checkbox"/> MEDIUM <input type="checkbox"/> HEAVY <input type="checkbox"/>	COLOR: <table border="1" style="display: inline-table; border-collapse: collapse;"><tr><td>A</td><td>B</td><td>C</td><td>D</td></tr></table> OTHER: <input style="width: 50px;" type="text"/> MARK: _____	A	B	C	D	GARY <input type="checkbox"/> DENNIS <input type="checkbox"/> SHOP <input type="checkbox"/> CONTRACTOR <input type="checkbox"/> ARCHITECT <input type="checkbox"/> FOR PRODUCTION <input type="checkbox"/>	LOCATION: _____ QUANTITY: _____
A	B	C	D					



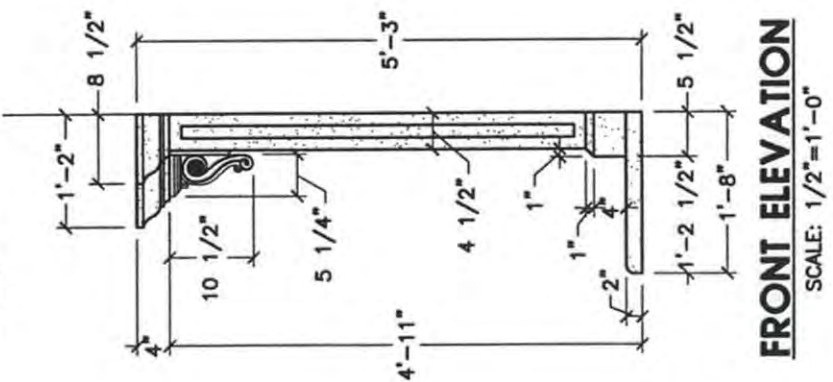
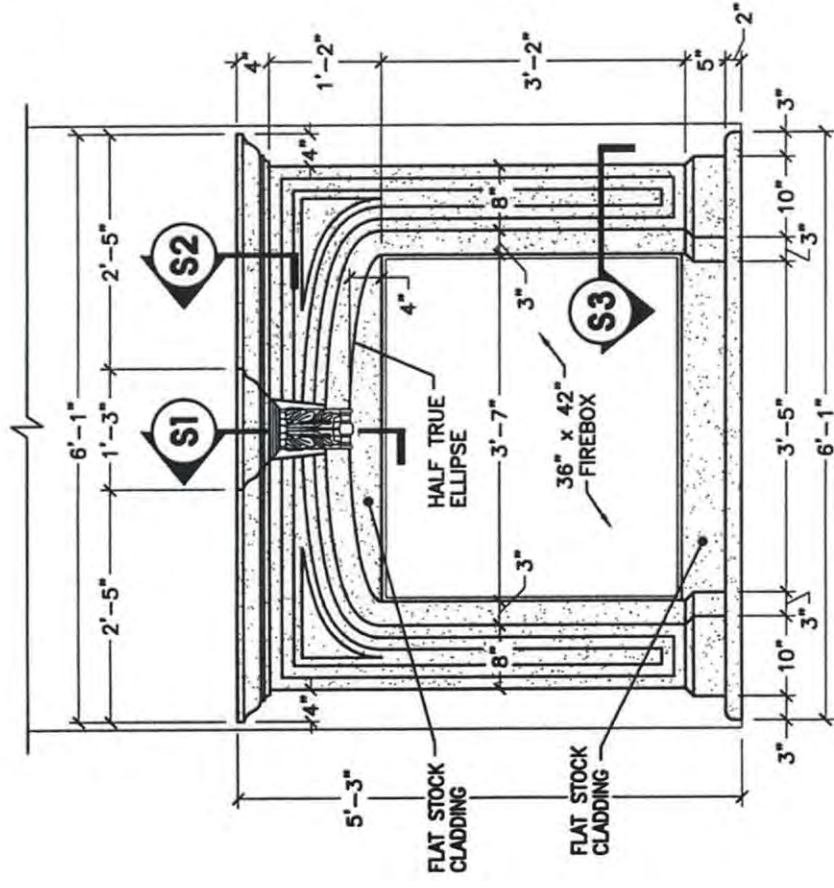
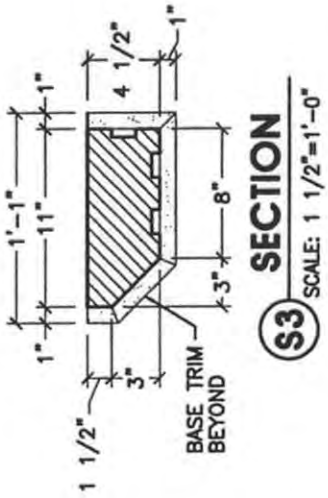
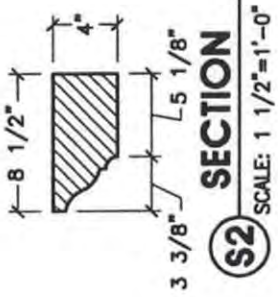
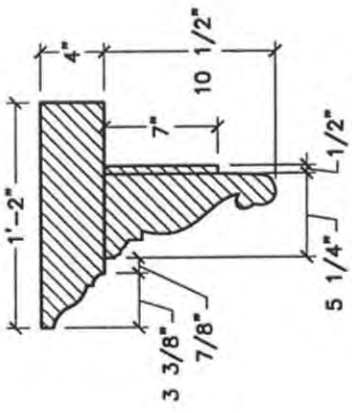
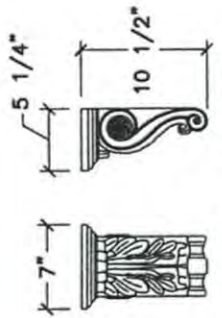
FRONT ELEVATION
SCALE: 1/2"=1'-0"

SIDE ELEVATION
SCALE: 1/2"=1'-0"

	PROJECT: --	BUILDER/ARCHITECT APPROVAL:
	TITLE: FIREPLACE DETAIL	HOMEOWNER APPROVAL:
	DATE: _____	SHEET: 1 OF 2



PROJECT: STONECRAFTERS ARCHITECTURAL PRECAST STONE	LOCATION:	BUILDER/ARCHITECT APPROVAL:
	TITLE: FIREPLACE DETAIL	HOMEOWNER APPROVAL:
QUANTITY: 1	DATE:	SHEET: 1 OF 1



STONECRAFTERS
ARCHITECTURAL PRECAST STONE

PROJECT: FP140
TITLE: FIREPLACE DETAIL

BUILDER/ARCHITECT APPROVAL: _____ HOMEOWNER APPROVAL: _____	LOCATION: _____ QUANTITY: 1	DATE: _____	SHEET: 1 OF 1
SCALE: 1/2"=1'-0"			

FINISH:

- KEYSTONE
- SMOOTH
- ACID-ETCH
- OTHER

TEXTURE:

- LIGHT
- MEDIUM
- HEAVY

COLOR:

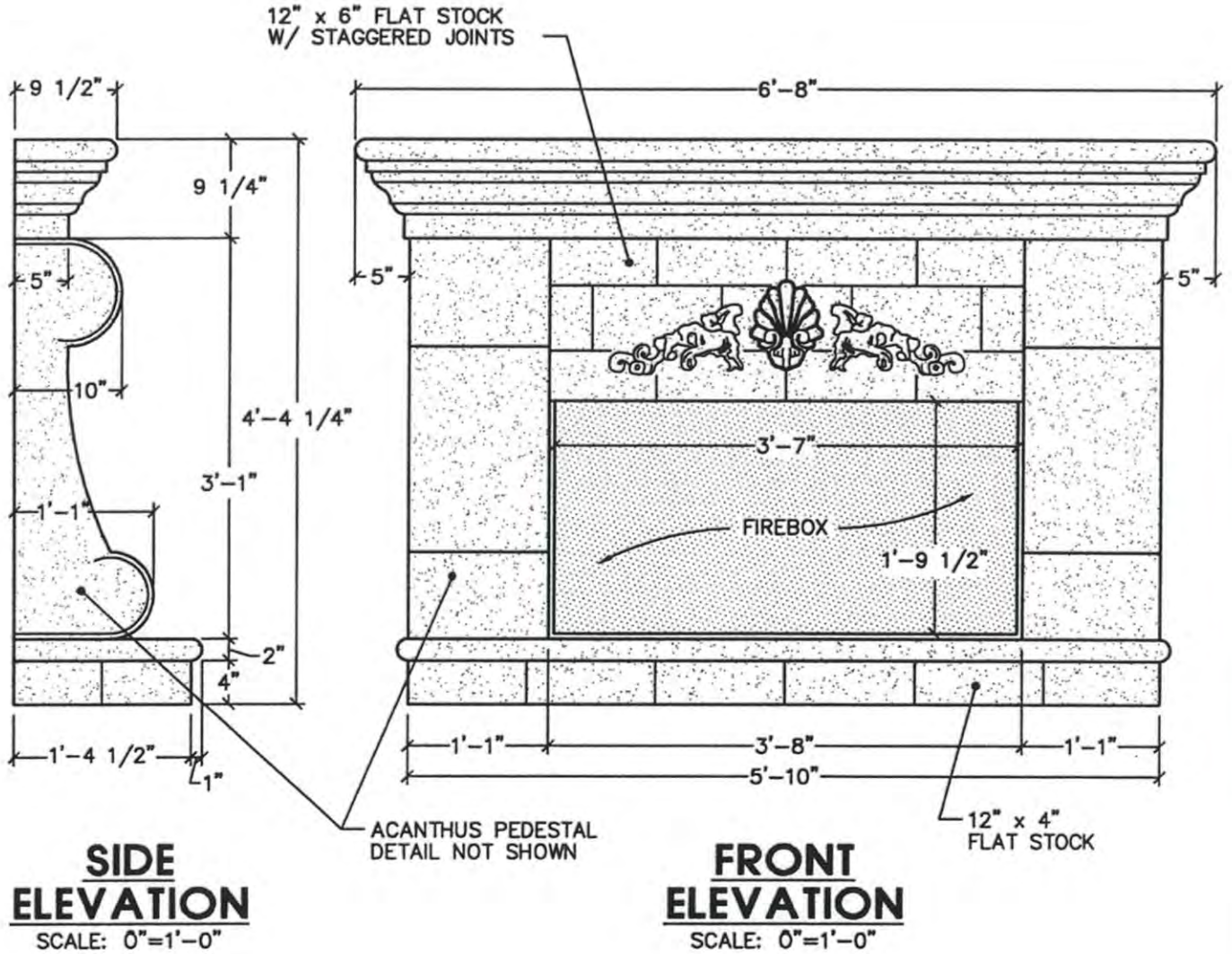
A	B	C	D

OTHER:

LOCATION:

MARK: _____

QUANTITY: _____



FOR PRODUCTION

DRAWN BY:
KMP

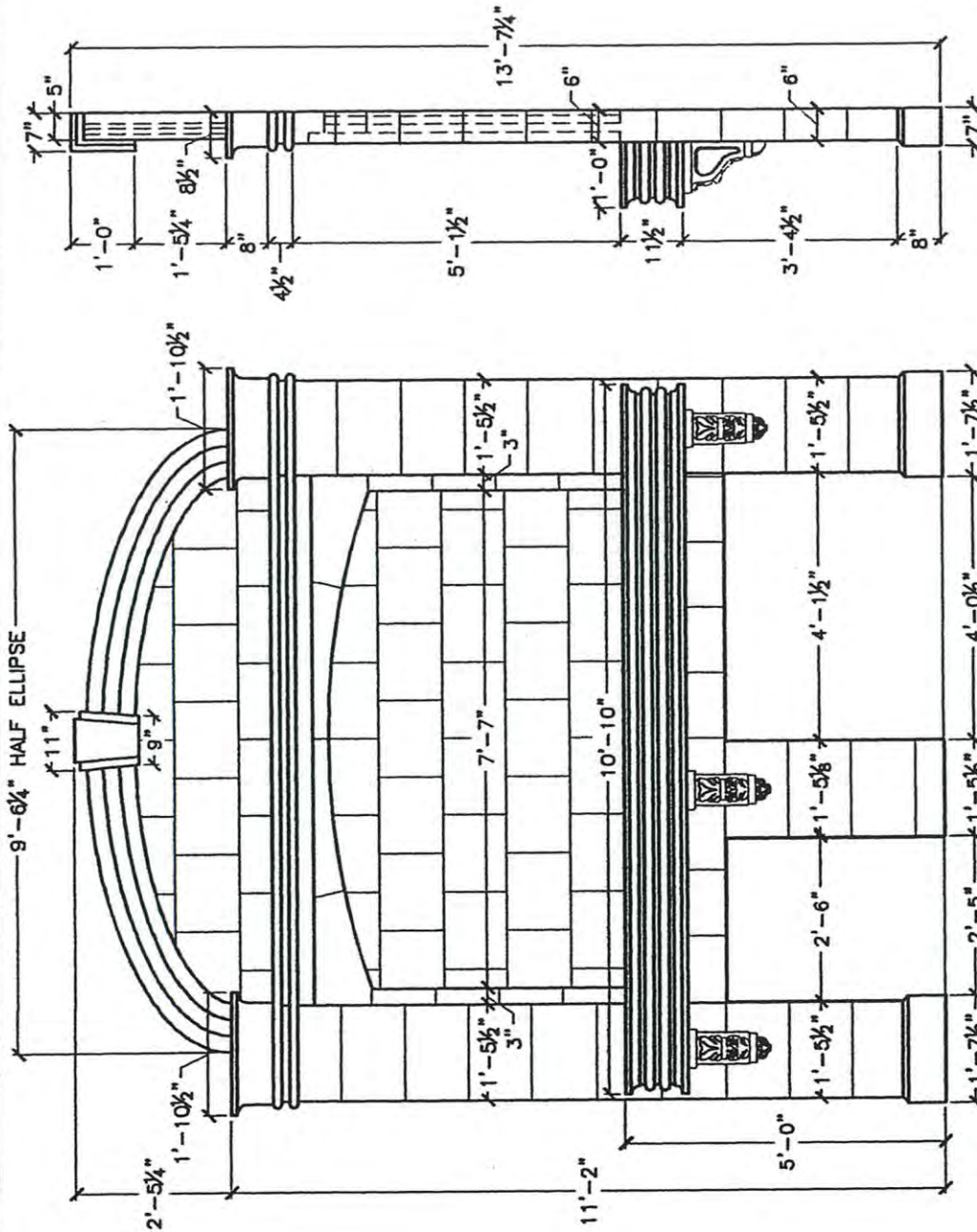
DATE:

- GARY
- DENNIS
- SHOP
- CONTRACTOR
- ARCHITECT

FP142

TITLE:

**FIREPLACE
DETAIL**



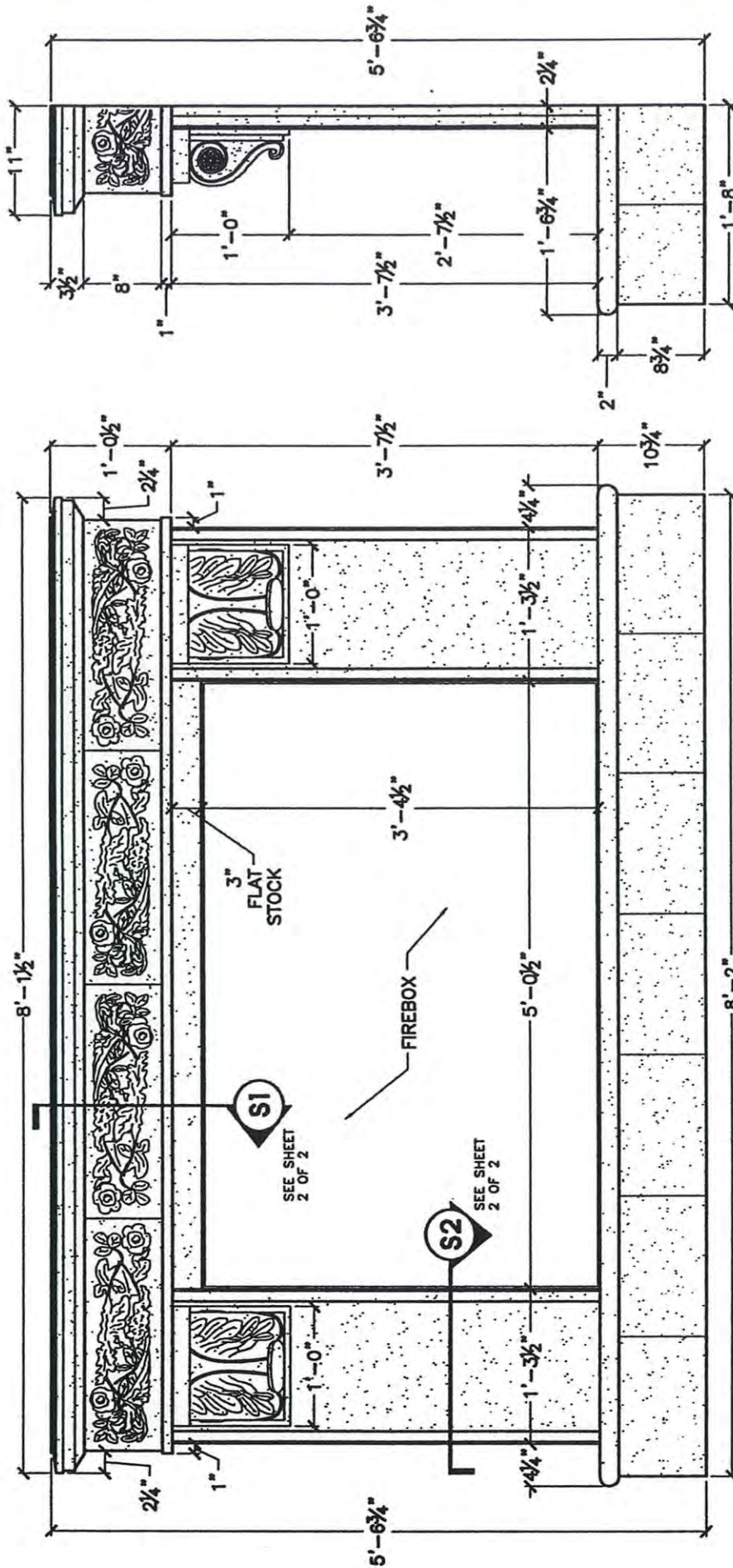
FRONT ELEVATION

SCALE: 3/8" = 1'-0"

SIDE ELEVATION

SCALE: 3/8" = 1'-0"

PROJECT: _____ TITLE: _____	LOCATION: _____ QUANTITY: ---	BUILDER/ARCHITECT APPROVAL: _____ HOMEOWNER APPROVAL: _____	DATE: _____ SHEET: --
FIREPLACE DETAIL		<p>STONECRAFTERS ARCHITECTURAL PRECAST STONE</p>	

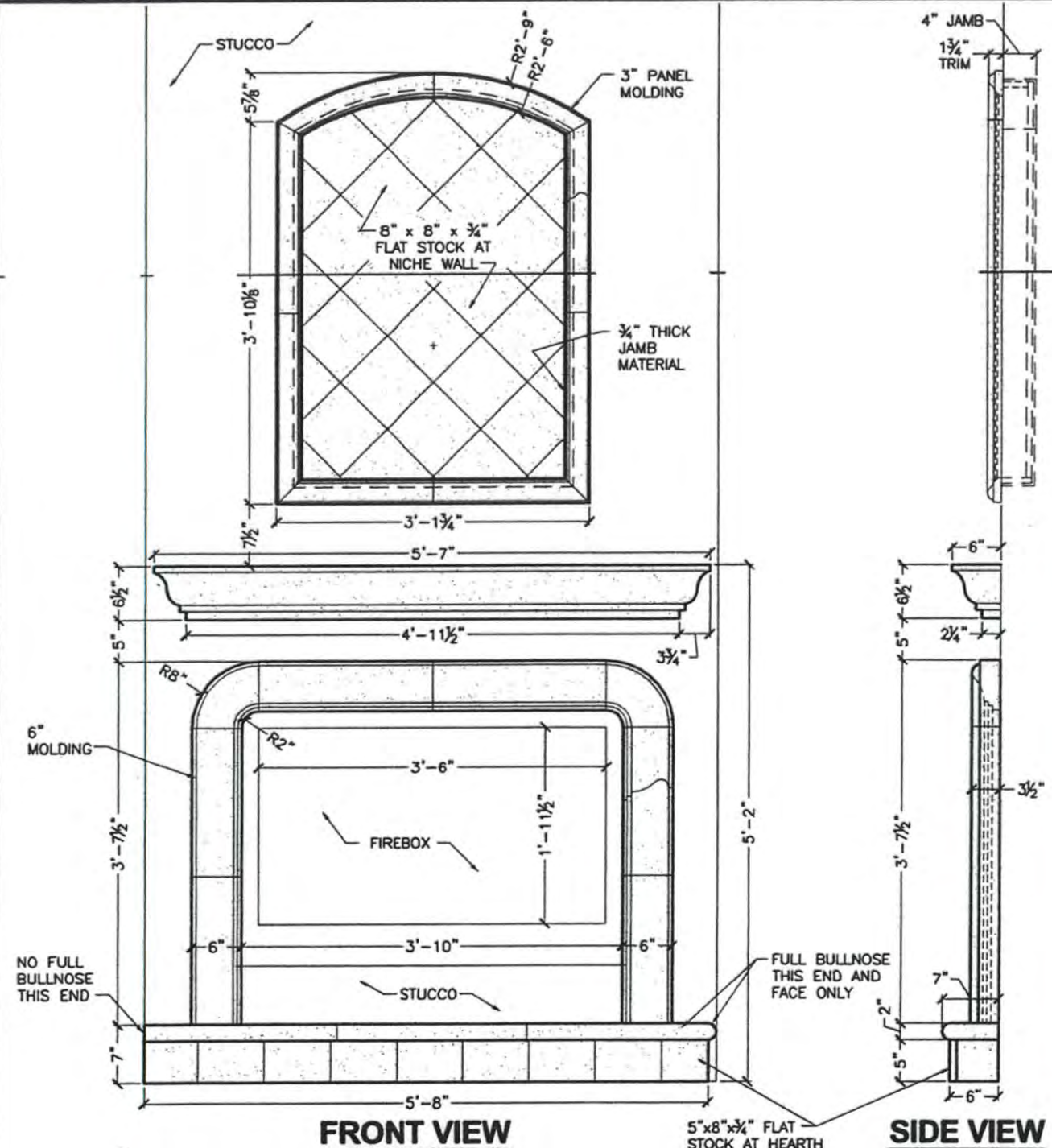


SIDE ELEVATION
SCALE: 3/4" = 1'-0"

FRONT ELEVATION
SCALE: 3/4" = 1'-0"

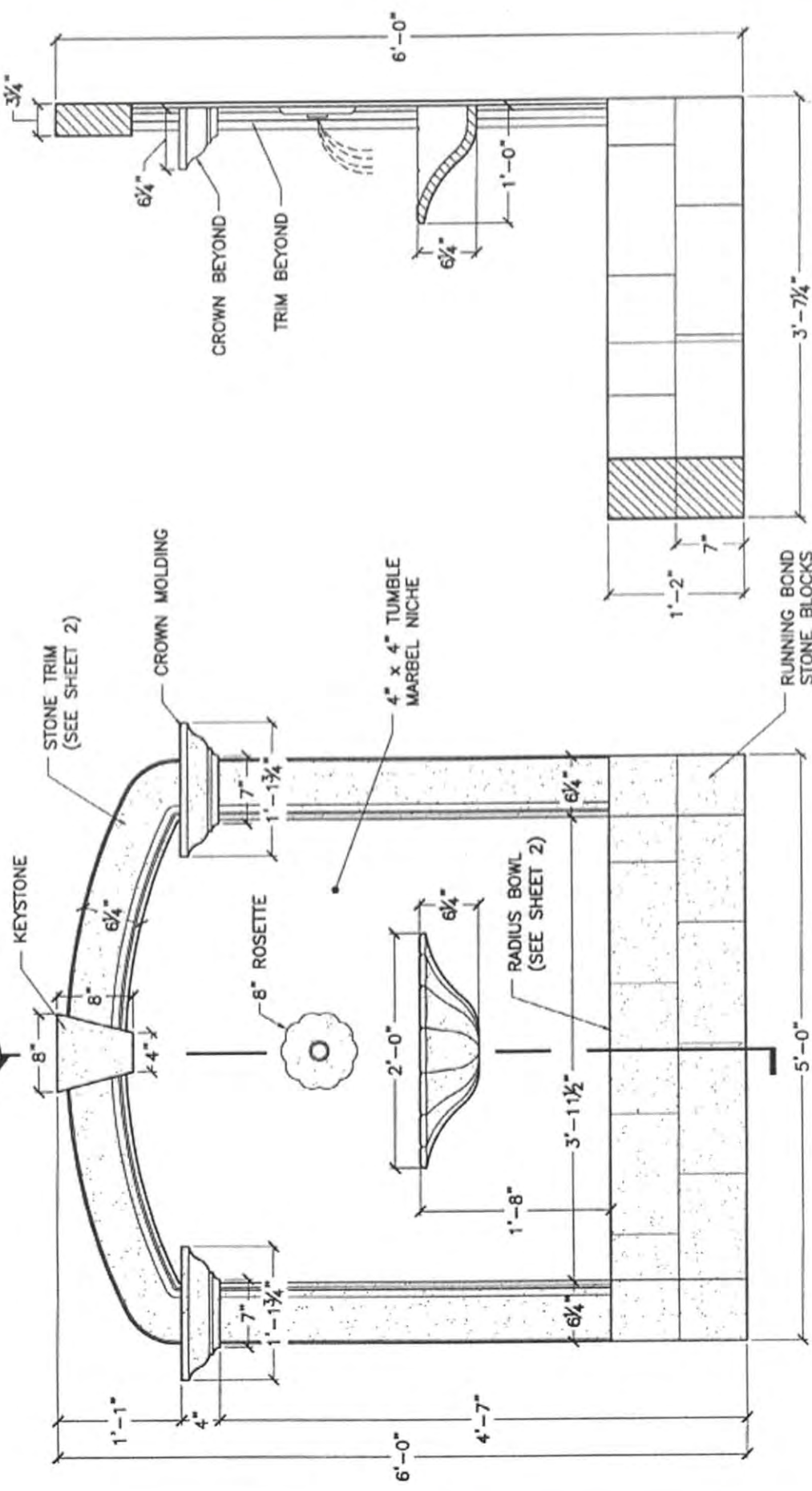
STONECRAFTERS ARCHITECTURAL PRECAST STONE	PROJECT:	LOCATION:	BUILDER/ARCHITECT APPROVAL:
	TITLE:	QUANTITY: ---	HOMEOWNER APPROVAL:
FIREPLACE DETAIL		DATE:	SHEET: 1 OF 2

FINISH: KEYSTONE <input type="checkbox"/> SMOOTH <input type="checkbox"/> ACID-ETCH <input type="checkbox"/> OTHER <input type="checkbox"/>	TEXTURE: LIGHT <input type="checkbox"/> MEDIUM <input type="checkbox"/> HEAVY <input type="checkbox"/>	COLOR: <input type="checkbox"/> A <input type="checkbox"/> B <input type="checkbox"/> C <input type="checkbox"/> D OTHER: <input type="text"/>	GARY <input type="checkbox"/> DENNIS <input type="checkbox"/> SHOP <input type="checkbox"/> CONTRACTOR <input type="checkbox"/> ARCHITECT <input type="checkbox"/> FOR PRODUCTION <input type="checkbox"/>	LOCATION: -
		MARK: _____	QUANTITY: -	PART NO.: -



	PROJECT: FP123Ext	BUILDER/ARCHITECT APPROVAL: <hr/>
	TITLE: EXTERIOR FIREPLACE DETAIL	HOMEOWNER APPROVAL: <hr/>
DATE: 3/12/03		SHEET: 1

S1



FRONT ELEVATION

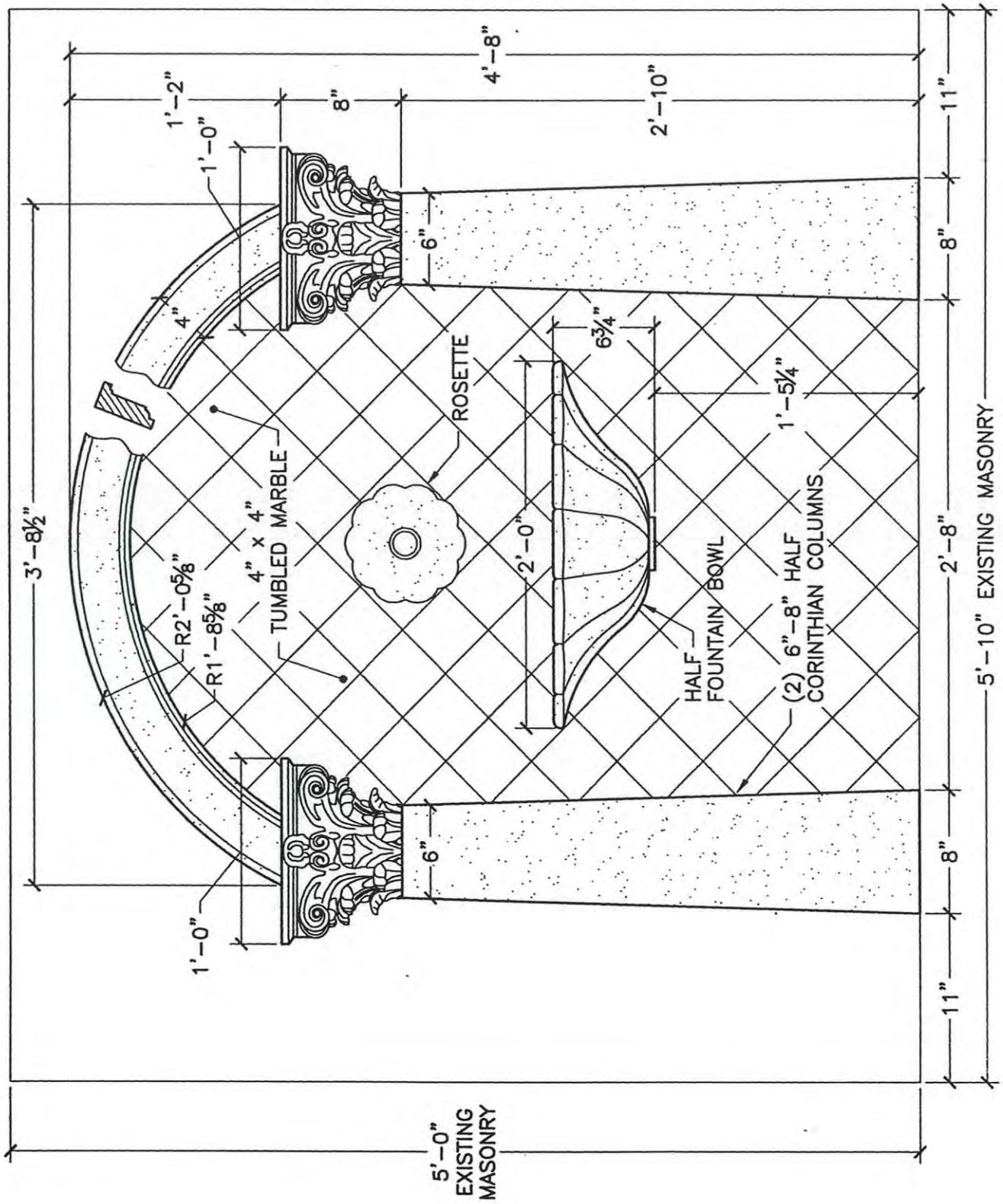
SCALE: 3/4" = 1'-0"

SECTION

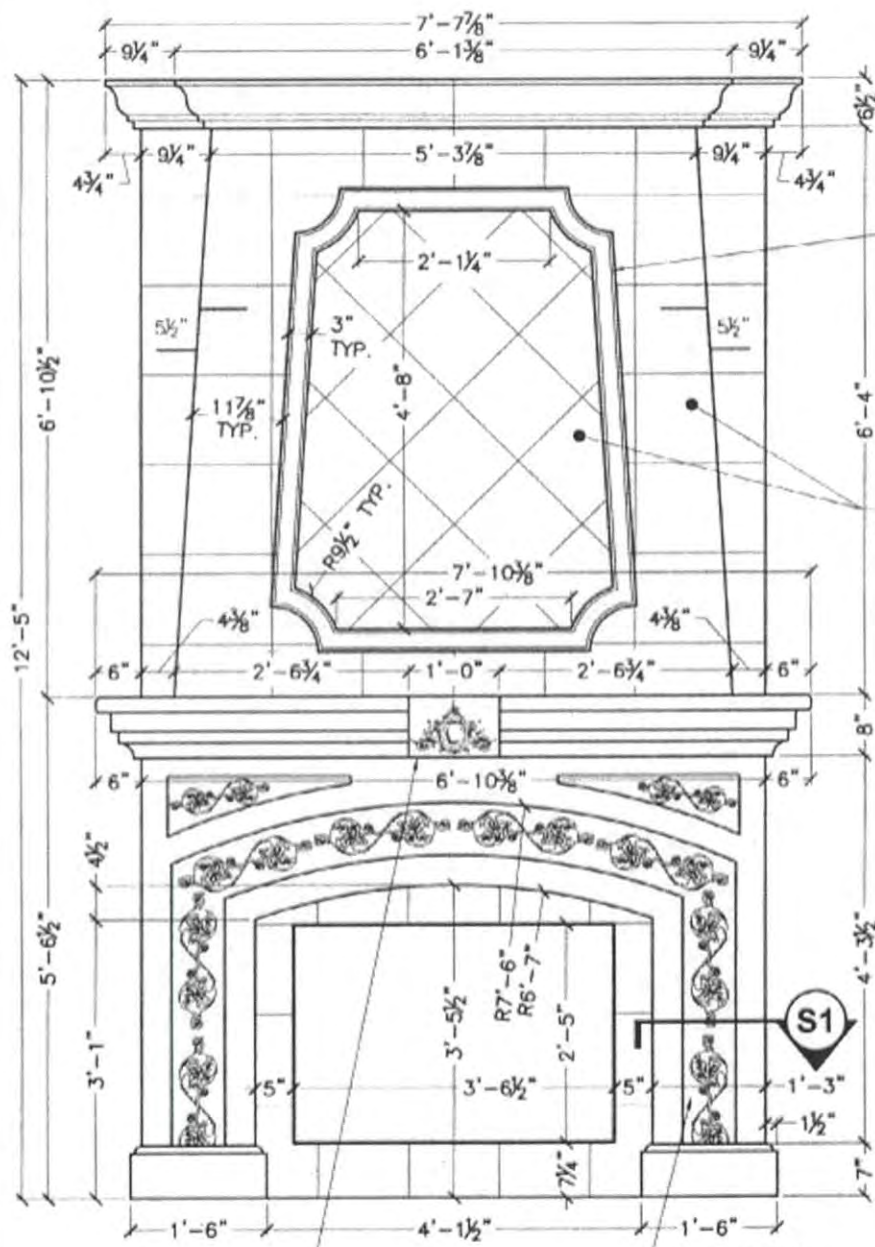
SCALE: 3/4" = 1'-0"

<p>PROJECT:</p> <p>TITLE:</p>	<p>LOCATION:</p>	<p>BUILDER/ARCHITECT APPROVAL:</p>
	<p>QUANTITY: ---</p>	<p>HOMEOWNER APPROVAL:</p>
<p>STONECRAFTERS ARCHITECTURAL PRECAST STONE</p>		<p>DATE: _____</p> <p>SHEET: _____</p>

FOUNTAIN DETAIL



FINISH: KEYSTONE <input type="checkbox"/> SMOOTH <input type="checkbox"/> ACID-ETCH <input type="checkbox"/> OTHER <input type="checkbox"/>	TEXTURE: LIGHT <input type="checkbox"/> MEDIUM <input type="checkbox"/> HEAVY <input type="checkbox"/>	COLOR: <input type="checkbox"/> A <input type="checkbox"/> B <input type="checkbox"/> C <input type="checkbox"/> D OTHER: <input type="text"/>	GARY <input type="checkbox"/> DENNIS <input type="checkbox"/> SHOP <input type="checkbox"/> CONTRACTOR <input type="checkbox"/> ARCHITECT <input type="checkbox"/> FOR PRODUCTION <input type="checkbox"/>	LOCATION: _____
		MARK: _____	QUANTITY: _____	

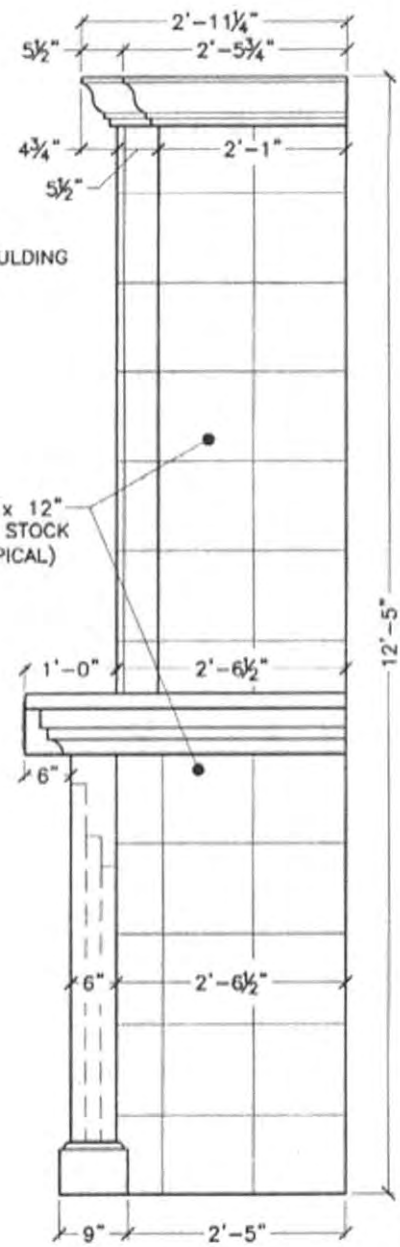


SEE SHEET 3 FOR MEDALLION SAMPLE

FRONT ELEVATION

SCALE: 1/2" = 1'-0"

SEE SHEET 3 FOR RELIEF SAMPLE



SIDE ELEVATION

SCALE: 1/2" = 1'-0"



PROJECT: _____

TITLE: **FIREPLACE DETAIL**

BUILDER/ARCHITECT APPROVAL: _____

HOMEOWNER APPROVAL: _____

DATE: 4/30/02

SHEET: _____

*From Imagination
To Reality*



STONECRAFTERS
ARCHITECTURAL
PRECAST STONE

We supply a wide array of styles, colors and textures to serve all your precast needs. We offer full services from design and manufacturing to delivery and installation. Our design department can work from client provided detail drawings or something as simple as an idea.

For more information on our products and services, please contact:

Stonecrafters

10820 75th Street N.
Seminole, FL 33777
Phone: 727-544-1210
Fax: 727-545-5750



Members of:



A VARIETY OF STYLES

Columns:

- Tuscan
- Ionic
- Temple of Winds
- Corinthian
- Rope
- Balusters
- Newel Posts
- Pier Caps
- Moldings

Wall Caps

Window Sills

Stair Treads

Corbels

Fireplaces

Miscellaneous Custom Items

You will be inspired by the timeless beauty and universal appeal of our precast stone products.

QUALITY & CRAFTSMANSHIP

With over twenty years of experience, Stonecrafters can certainly meet your needs. From grand entrances to interior accents, we can create a beautiful stone design for your home, commercial building or special project.



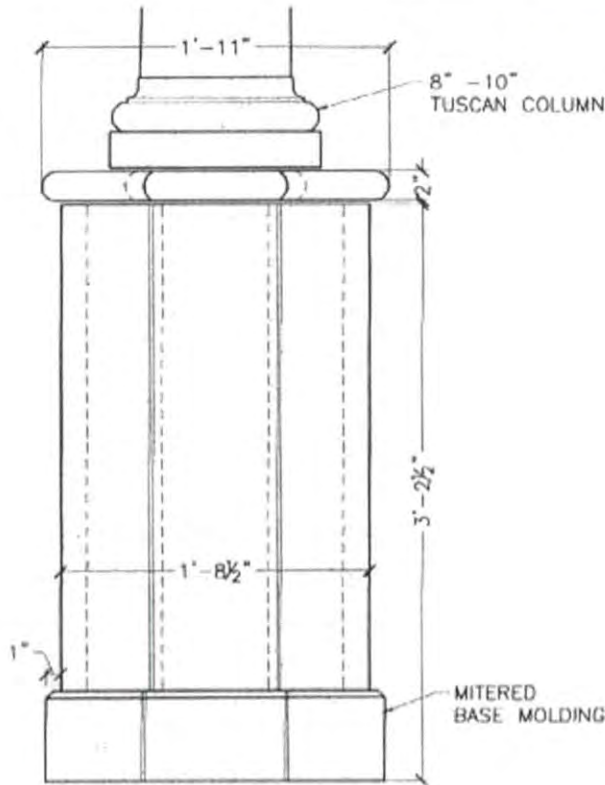
As Seen In...
Tampa Bay Magazine
Builders Architect
Southern Homes



STONECRAFTERS

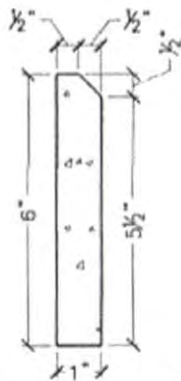
takes great pride in manufacturing the finest quality products and providing expert craftsmanship during installation for beauty today that lasts through many tomorrow's.

FINISH: KEYSTONE <input type="checkbox"/> SMOOTH <input type="checkbox"/> ACID-ETCH <input type="checkbox"/> OTHER <input type="checkbox"/>	TEXTURE: LIGHT <input type="checkbox"/> MEDIUM <input type="checkbox"/> HEAVY <input type="checkbox"/>	COLOR: <table border="1"> <tr> <td>A</td> <td>B</td> <td>C</td> <td>D</td> </tr> </table>	A	B	C	D	GARY <input type="checkbox"/> DENNIS <input type="checkbox"/> SHOP <input type="checkbox"/> CONTRACTOR <input type="checkbox"/> ARCHITECT <input type="checkbox"/> FOR PRODUCTION <input type="checkbox"/>	LOCATION: REAR ELEVATION @ LOGGIA
		A	B	C	D			
OTHER: <input type="text"/>	MARK: <input type="text"/>	QUANTITY: <input type="text"/>	PART NO. <input type="text"/>					



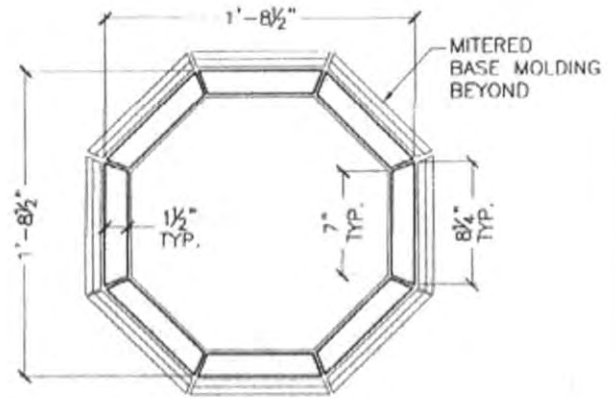
FRONT ELEVATION

SCALE: 1"=1'-0"



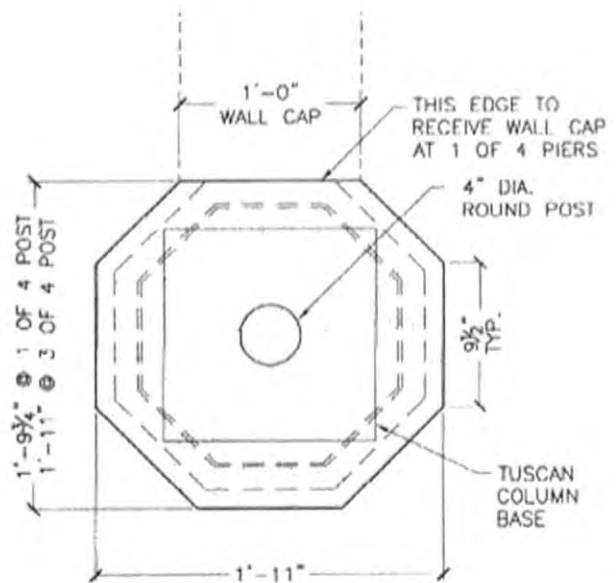
BASE MOLDING

SCALE: 3"=1'-0"



TOP VIEW (PIER PANEL)

SCALE: 1"=1'-0"



TOP VIEW (PIER CAP)

SCALE: 1"=1'-0"



PROJECT:

TITLE:

**OCTAGON PIER
POST DETAIL**

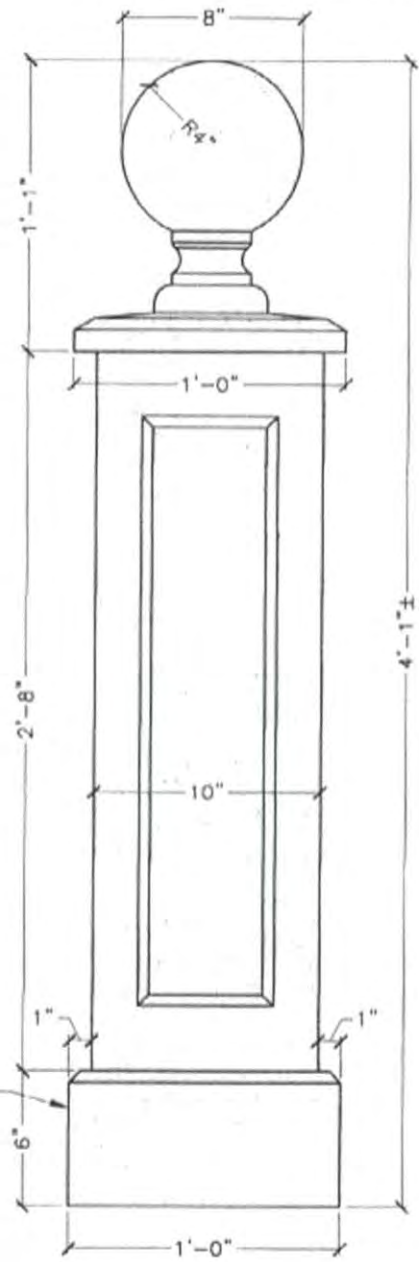
BUILDER/ARCHITECT APPROVAL:

HOMEOWNER APPROVAL:

DATE: 1/02/03

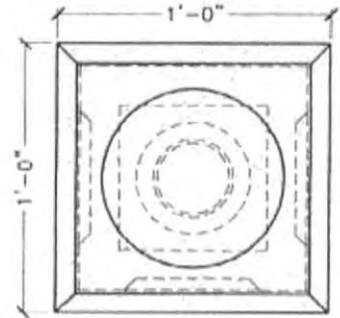
SHEET:

FINISH: KEYSTONE <input type="checkbox"/> SMOOTH <input type="checkbox"/> ACID-ETCH <input type="checkbox"/> OTHER <input type="checkbox"/>	TEXTURE: LIGHT <input type="checkbox"/> MEDIUM <input type="checkbox"/> HEAVY <input type="checkbox"/>	COLOR: A <input type="checkbox"/> B <input type="checkbox"/> C <input type="checkbox"/> D <input type="checkbox"/> OTHER: _____	GARY <input type="checkbox"/> DENNIS <input type="checkbox"/> SHOP <input type="checkbox"/> CONTRACTOR <input type="checkbox"/> ARCHITECT <input type="checkbox"/> FOR PRODUCTION <input type="checkbox"/>	LOCATION: FRONT ELEVATION @ ENTRY
		MARK: _____	QUANTITY: _____	PART NO.: _____



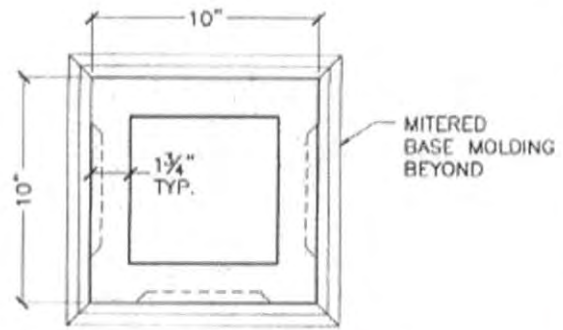
TYPICAL ELEVATION

SCALE: 1/2" = 1'-0"



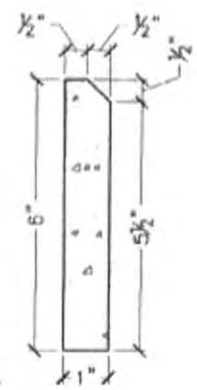
TOP VIEW (PIER CAP)

SCALE: 1/2" = 1'-0"



TOP VIEW (PIER PANEL)

SCALE: 1/2" = 1'-0"



BASE MOLDING

SCALE: 3" = 1'-0"



PROJECT: _____

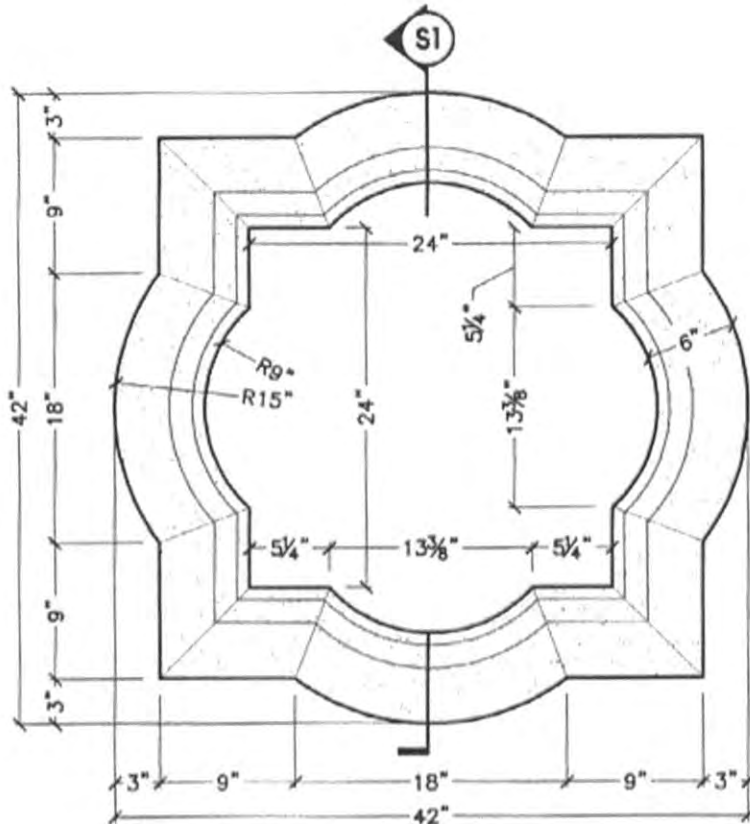
TITLE: **TYPICAL SOLID PIER POST DETAIL**

BUILDER/ARCHITECT APPROVAL: _____

HOMEOWNER APPROVAL: _____

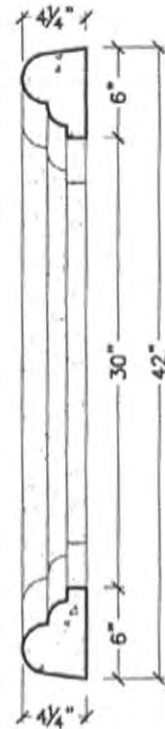
DATE: 1/15/03 SHEET: _____

FINISH: KEYSTONE <input type="checkbox"/> SMOOTH <input type="checkbox"/> ACID-ETCH <input type="checkbox"/> OTHER <input type="checkbox"/>	TEXTURE: LIGHT <input type="checkbox"/> MEDIUM <input type="checkbox"/> HEAVY <input type="checkbox"/>	COLOR: <input type="checkbox"/> A <input type="checkbox"/> B <input type="checkbox"/> C <input type="checkbox"/> D OTHER: <input type="text"/>	GARY <input type="checkbox"/> DENNIS <input type="checkbox"/> SHOP <input type="checkbox"/> CONTRACTOR <input type="checkbox"/> ARCHITECT <input type="checkbox"/> FOR PRODUCTION <input type="checkbox"/>	LOCATION: FRONT ELEVATION @ 2nd. FLR. LEFT OF RADIUS STAIR TOWER
		MARK: _____	QUANTITY: 1 PIECE	PART NO. --

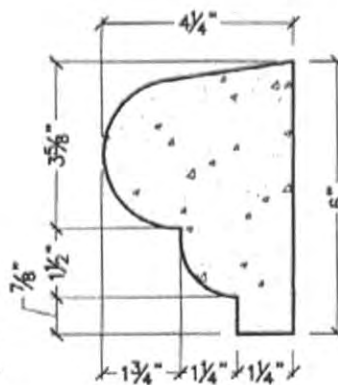


FRONT VIEW

SCALE: 1"=1'-0"



SI SECTION
SCALE: 6"=1'-0"



PROFILE

SCALE: 3"=1'-0"



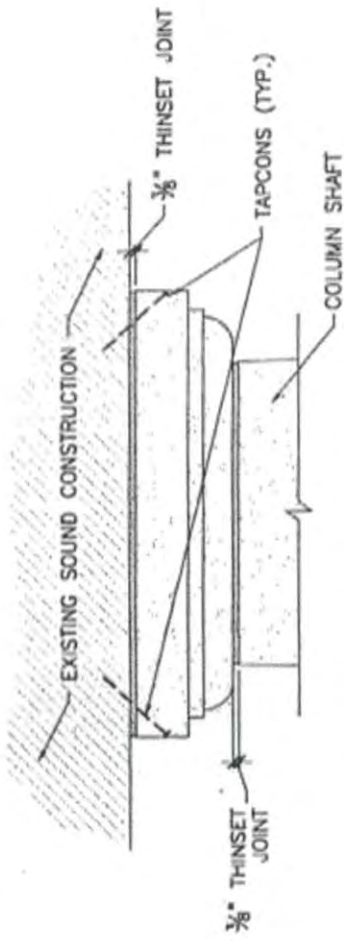
PROJECT: _____

TITLE: **SMALL QUATREFOIL DETAIL**

BUILDER/ARCHITECT APPROVAL: _____

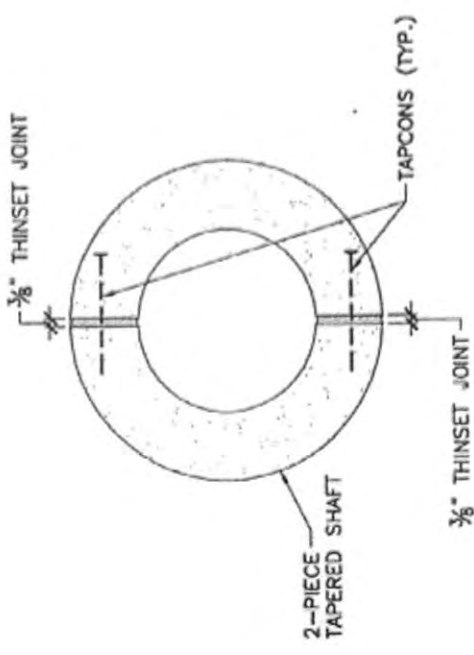
HOMEOWNER APPROVAL: _____

DATE: 5/21/04 SHEET: _____



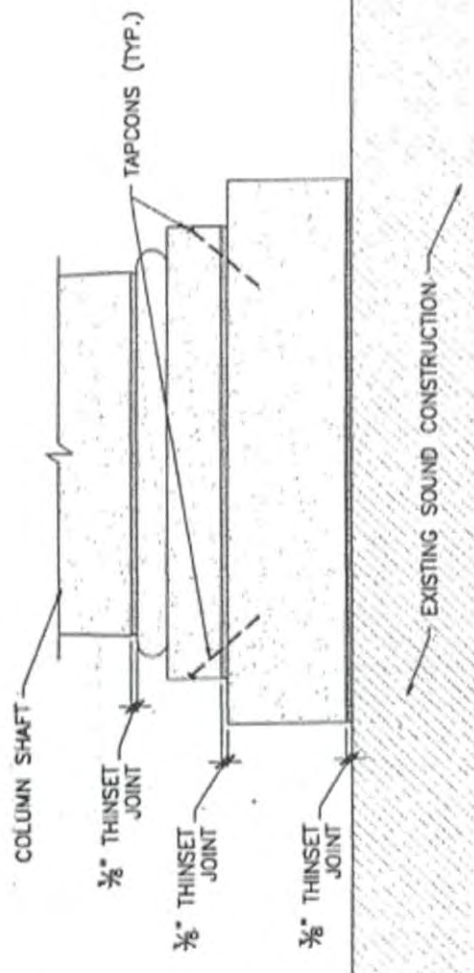
COLUMN CAP ATTACHMENT

SCALE: 1"=1'-0"



COLUMN SHAFT ATTACHMENT

SCALE: 1/2"=1'-0"



COLUMN BASE ATTACHMENT

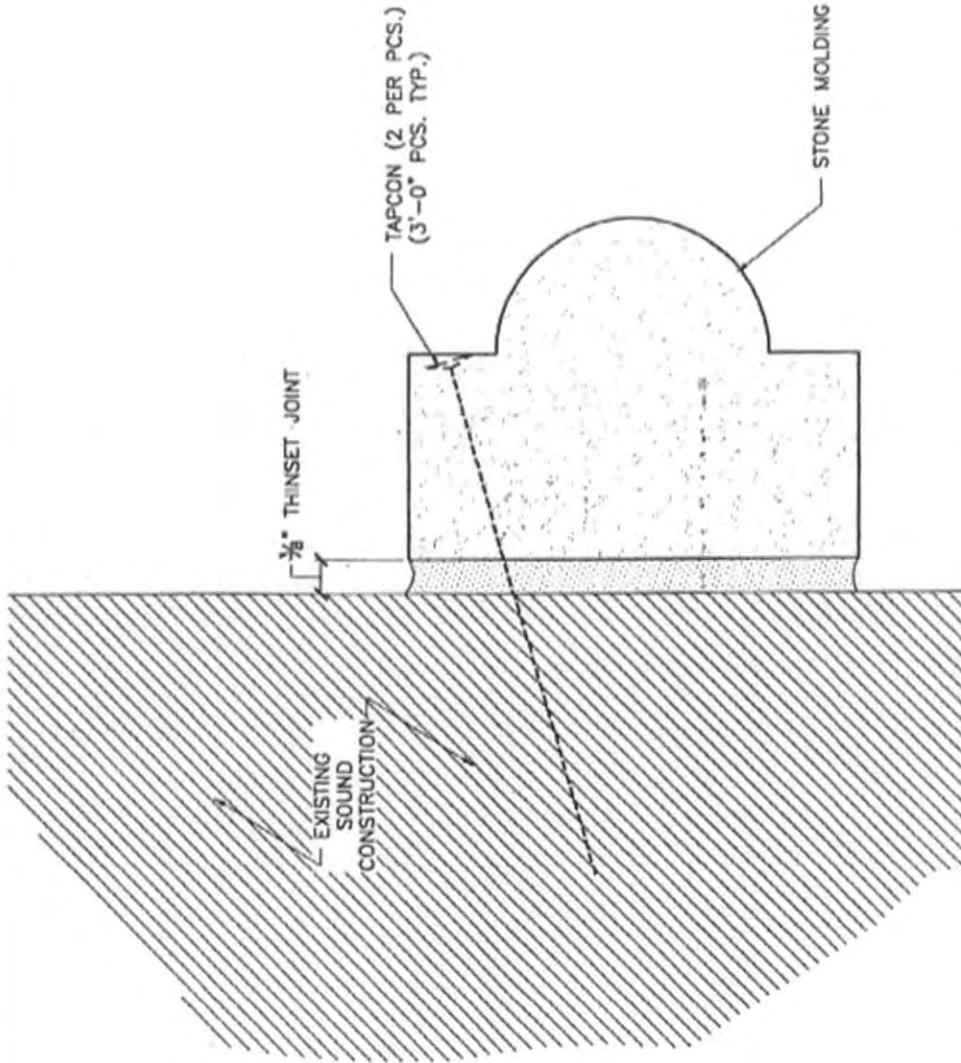
SCALE: 1"=1'-0"



PROJECT: **STONECRAFTERS SHOWROOM**
 TITLE: **TYPICAL COLUMN ATTACHMENT DETAILS**

LOCATION: _____
 QUANTITY: ---

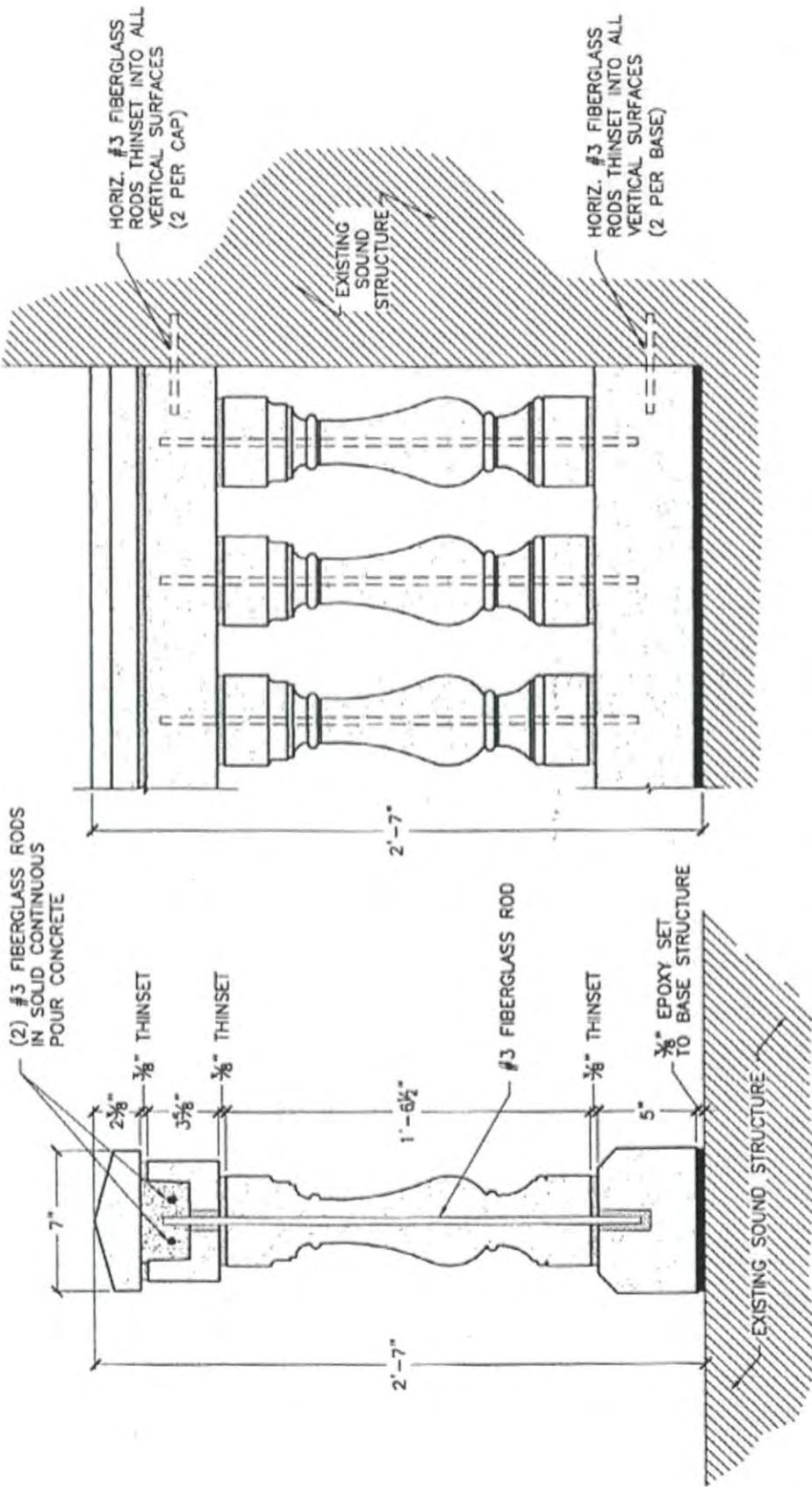
BUILDER/ARCHITECT APPROVAL: _____
 HOMEOWNER APPROVAL: _____
 DATE: 9/2/02 SHEET: **1 OF 3**



DECORATIVE MOLDING ATTACHMENT

SCALE: 6"=1'-0"

STONECRAFTERS ARCHITECTURAL PRECAST STONE	PROJECT: STONECRAFTERS SHOWROOM	LOCATION: _____	BUILDER/ARCHITECT APPROVAL: _____
	TITLE: TYPICAL MOLDING ATTACHMENT DETAIL	QUANTITY: ---	HOMEOWNER APPROVAL: _____
		DATE: 9/2/02	SHEET: 2 OF 3



BALUSTRADE SYSTEM ATTACHMENT

SCALE: 1/2" = 1'-0"



PROJECT: **STONECRAFTERS SHOWROOM**

LOCATION: _____

BUILDER/ARCHITECT APPROVAL: _____

TITLE: **TYPICAL BALUSTRADE ATTACHMENT DETAILS**

HOMEOWNER APPROVAL: _____

DATE: 9/2/02

QUANTITY: ---

SHEET: **3 OF 3**